

Actuator for swing gates



pop

Instructions and warnings for the fitter

istruzioni e avvertenze per l'installatore

Instructions et recommandations pour l'installation

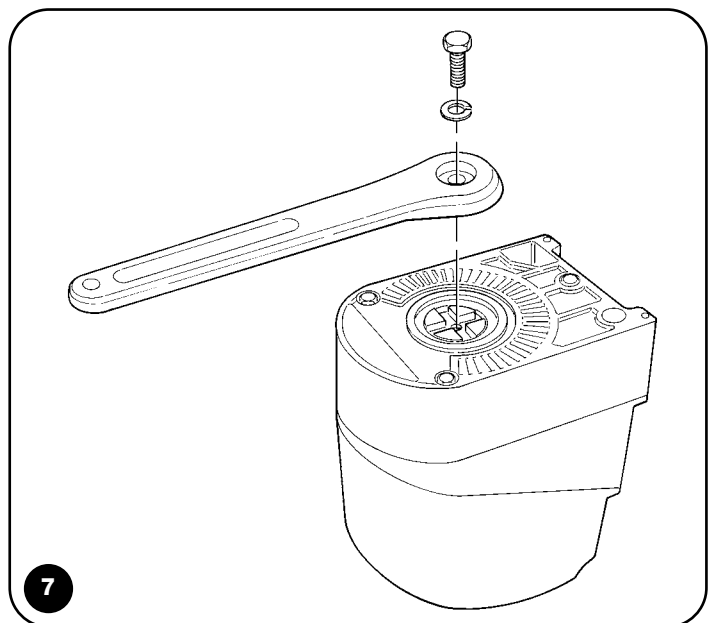
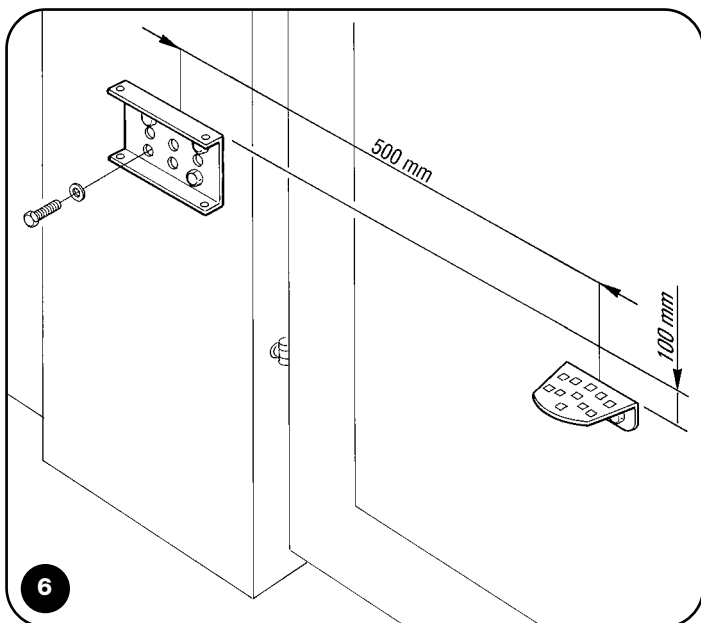
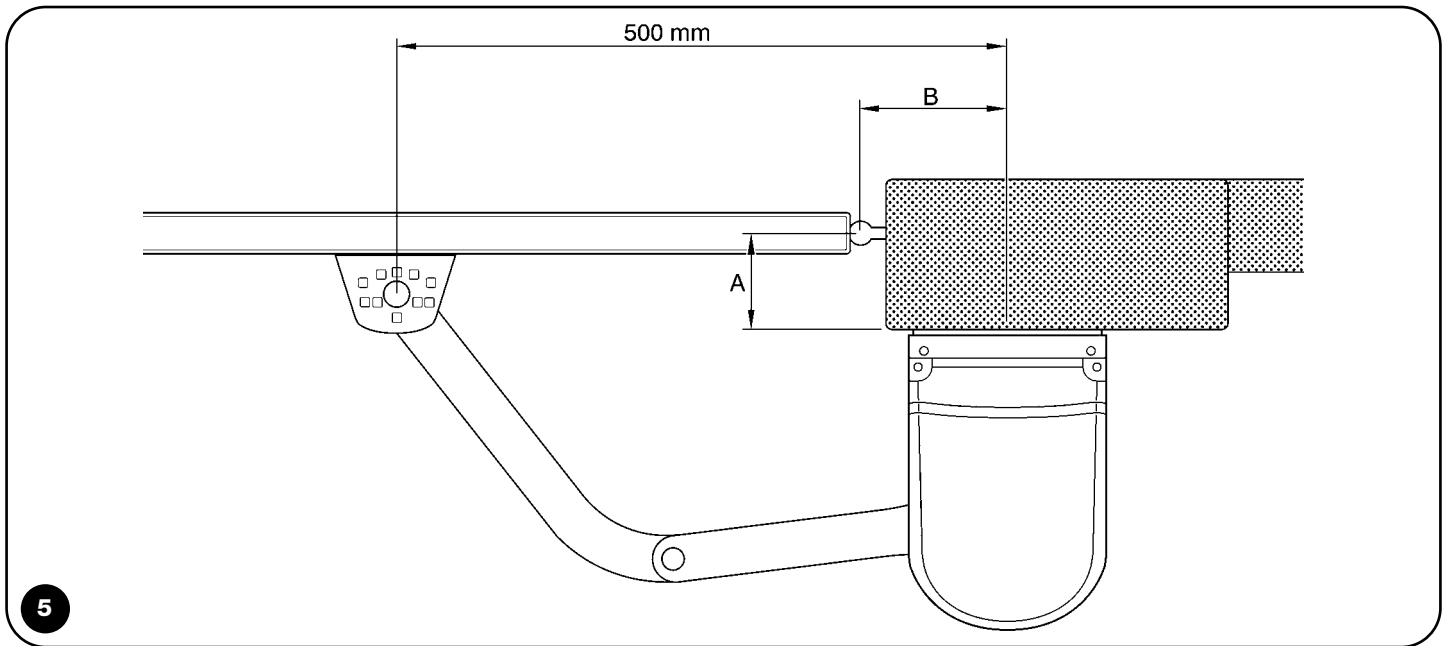
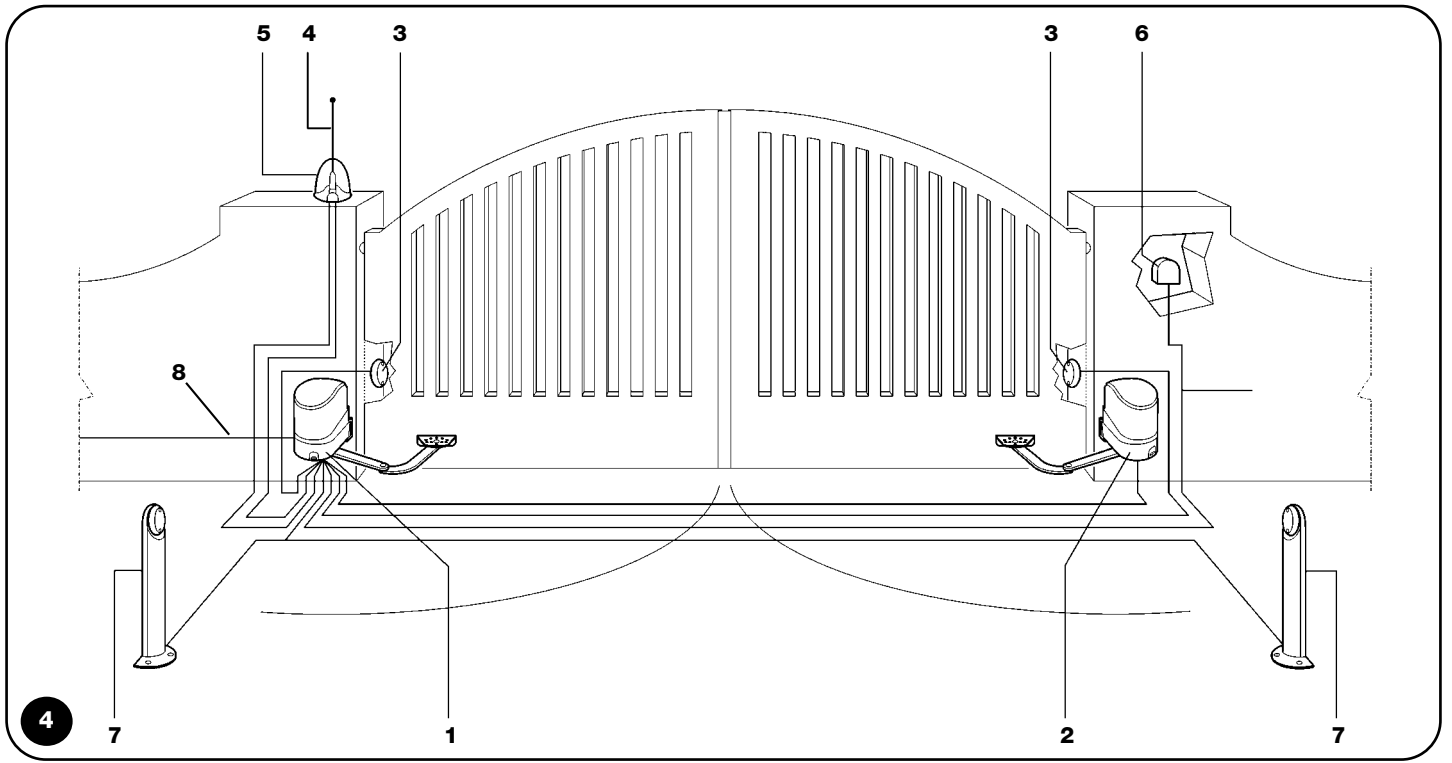
Anweisungen und hinweise für den installateur

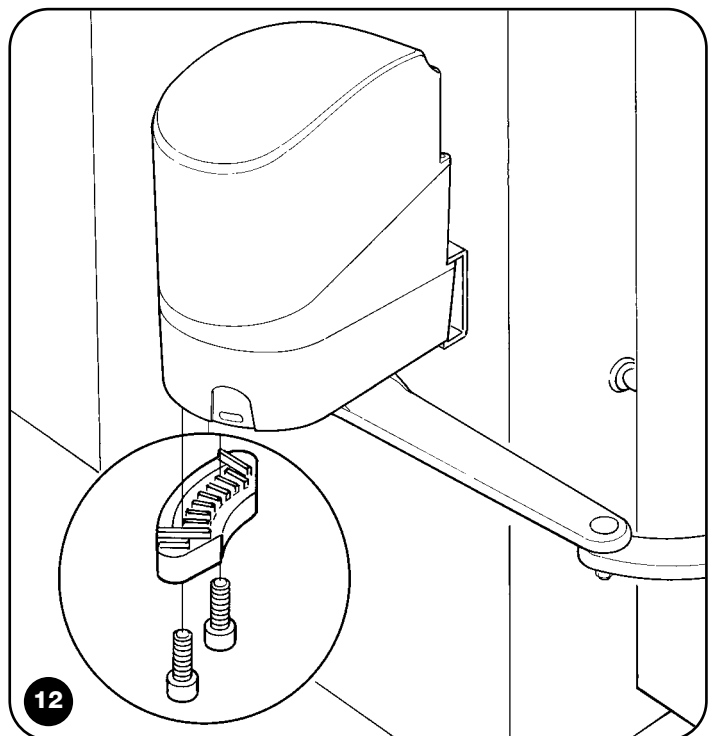
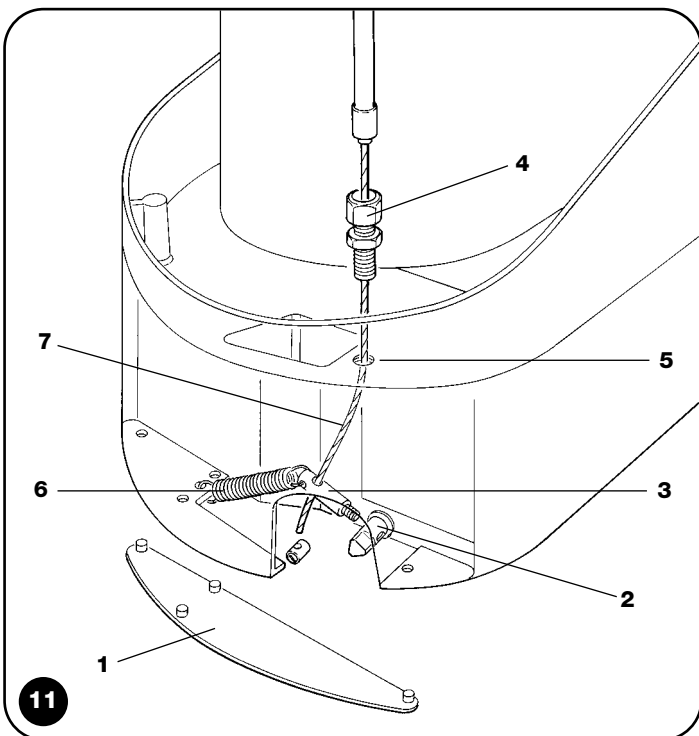
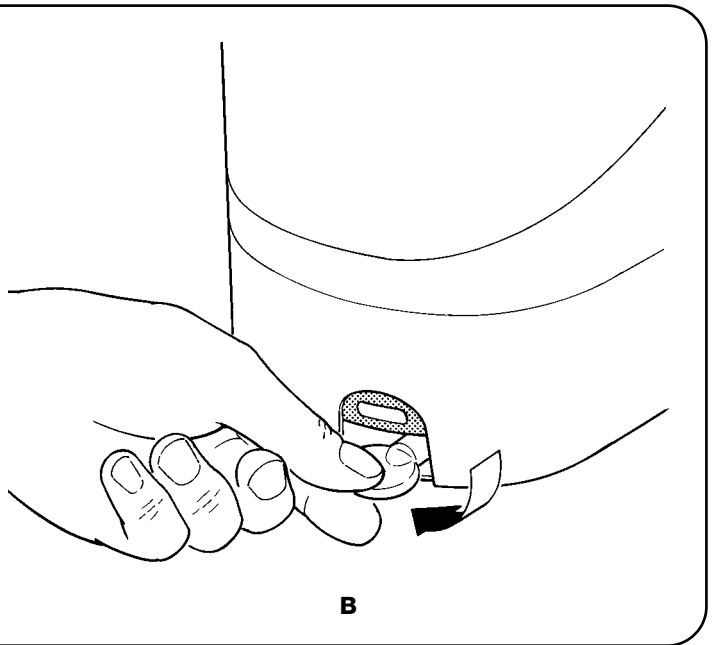
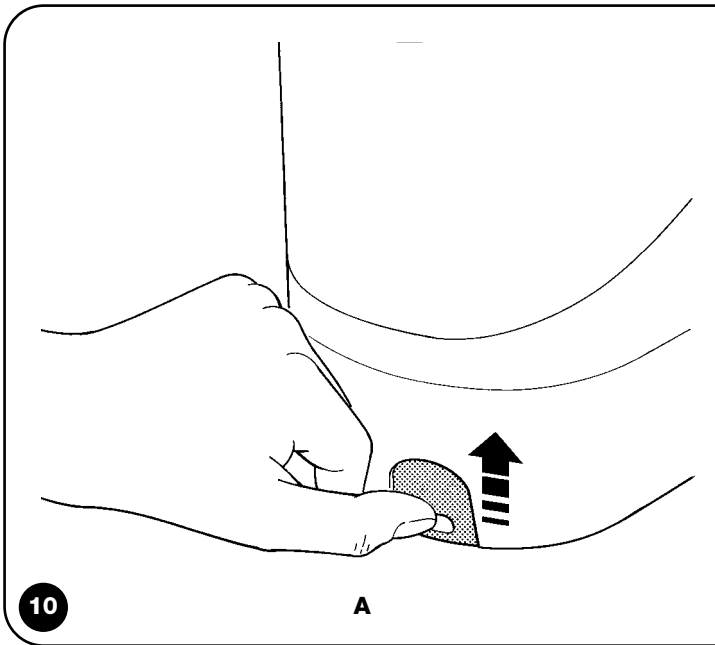
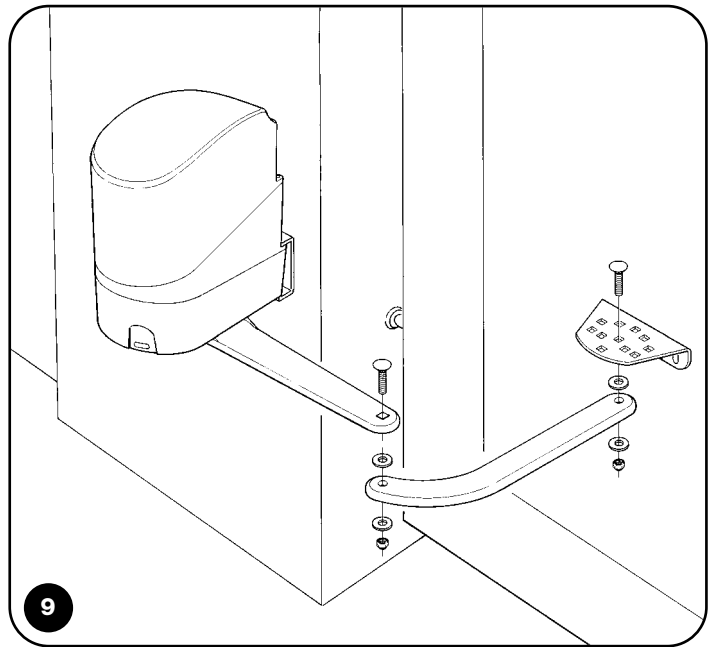
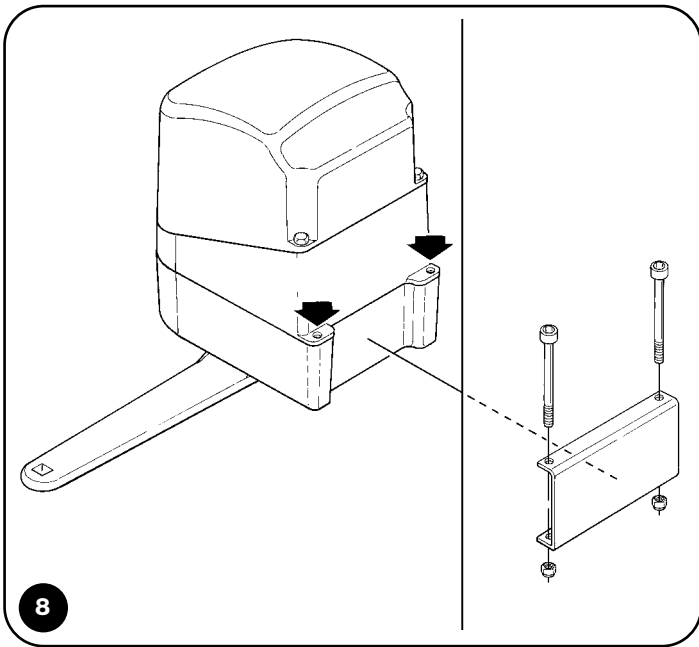
Instrucciones j advertencias para el instalador

Instrukcja dla instalatora

COMPANY
WITH QUALITY SYSTEM
CERTIFIED BY DNV
== ISO 9001 ==







pop

Table of contents:		page			page
1	Product description	2	3	Manual or release manoeuvre	3
2	Installation	2	4	Testing and commissioning	4
2.1	Preliminary checks	2	4.1	Testing	4
2.2	Typical system	2	5	Maintenance	4
2.3	Mounting	2	5.1	Disposal	4
2.4	Mounting the motor bracket to the pillar	3	6	Technical characteristics	4
2.5	Assembly of the straight arm	3	7	Accessories	4
2.6	Mounting the gearmotor	3		Instructions and warnings for users of the POP gearmotor	5
2.7	Assembling the curved arm and mounting the adjustable bracket to the leaf	3			
2.8	Releasing the gearmotor from the inside	3			
2.8.1	Releasing the gearmotor from the outside (optional)	3			
2.9	Securing the opening stop	3			
2.10	Electrical connections	3			
2.11	Connection to the power supply	3			
2.12	Using buffer batteries (optional)	3			

Warnings

Read these instructions before proceeding with the installation, as they provide important information regarding safety, installation, use and maintenance.

In order to make the use of these instructions as simple as possible, we have tried to follow the same order as the various phases of installation. Anything which is not specified in these instructions is not allowed, any unspecified use may damage the product and place people and objects in danger.

Nice disclaims any liability for the non-observance of good practice in the manufacturing of the gates, as well as any buckling which may occur during use. Store this manual safely for future use

This manual, as well as the design and manufacture of the devices that make up POP, comply fully with the standards and regulations in force. Considering the hazards that may exist during the installation and operation of POP, it is necessary that also the installation be carried out in strict compliance with current legislation, standards and regulations, particularly:

- Before you start with the installation, check whether additional devices or materials are needed to complete the automation with POP based on the specific application requirements.
- The automation system must not be used until it has been commissioned as described in paragraph "Commissioning".
- The packing materials must be disposed of in compliance with local regulations.
- Do not make modifications to any components unless provided for in this manual. This type of operations will only cause malfunctions. NICE disclaims any liability for damage resulting from modified products.

- Do not immerse the automation parts in water or any other liquid. During installation, ensure that liquids do not leak into the control unit or other open devices.
- In the event that liquid substances have penetrated inside the automation devices, immediately disconnect the power supply and contact the NICE customer service department. The use of POP in these conditions can be dangerous.
- Keep all components of POP away from heat sources and open flames; these could damage the components and cause malfunctions, fire or dangerous situations.
- During long periods of inactivity, the optional battery should be removed and stored in a dry location to prevent leakage of noxious substances.
- Connect the control unit only to a power supply line equipped with safety grounding system.
- All operations requiring the opening of the shells of POP device must be performed with the control unit disconnected from the power supply; if the disconnection device is not identifiable, post the following sign on it: "WARNING: MAINTENANCE WORK IN PROGRESS".
- In the event that any automatic switches or fuses are tripped, you must identify the failure and eliminate it before you reset them.
- If a failure occurs that cannot be solved using the information provided in this manual, refer to the NICE customer service department.

1) Product description

POP is a gearmotor for small and medium-sized swing gates. It automates gates with leaves of a maximum 1.8m in length and 200 kg in weight.

- PP7024 with incorporated control unit and 230V power supply (The PP7024/V1 version has a 120V power supply.)
- The PP7224 has no control unit, the PP 07224 gearmotor is connects with the PP7024 control unit.

2) Installation

The installation must be carried out by qualified and skilled personnel in compliance with the directions provided in chapter "WARNINGS".

2.1) Preliminary checks

Do not use POP to automate a gate that is inefficient and unsafe. The device does not solve faults resulting from incorrect installation or poor maintenance of the gate.

Make sure that the structure of the gate is suitable for automation and in compliance with regulations in force.

Make sure that:

- The packing is undamaged and contains all the parts shown in **Fig. 1**
 - o No.1 pc. PP7024
 - o No.1 pc. PP7224
 - o No.2 pcs. Straight arm
 - o No.2 pcs. curved arm
 - o No.2 pcs. Motor bracket
 - o No.1 pc. Box of accessories.
 - o No.1 pc. Electronic "Openkit" box

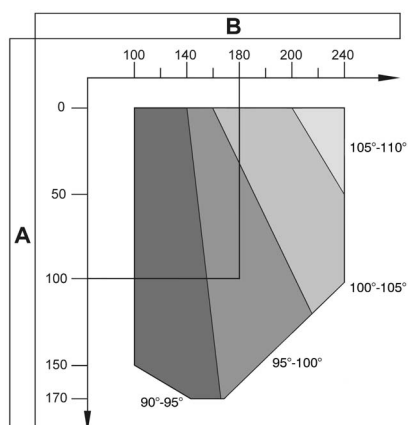
- The gate opens and closes without presenting points of friction.
- The gate is well balanced, i.e., if it is stopped in any position it must not display a tendency to start moving again.
- The area singled out for mounting the gearmotor allows easy, safe manoeuvring.
- Make sure that the mounting area is compatible with the overall dimensions of the gearmotor (**Fig. 2**).
- Make sure that the mounting positions of the various devices are protected from impacts and that the mounting surfaces are sufficiently sturdy.
- Make sure that the mounting surfaces of the photocells are flat and that they enable the proper alignment between TX and RX.
- Check that there is enough space for the arm to rotate (**Fig. 3**).

2.2) Typical system (Fig. 4)

1. POP "PP7024" actuator
2. POP "PP7224" actuator
3. Photocell
4. Aerial
5. Flashing light
6. Key-operated selector switch
7. Post for photocells (optional)
8. Power supply line

2.3) Mounting (Fig. 5)

Mount the brackets as follows:



Tab. 1

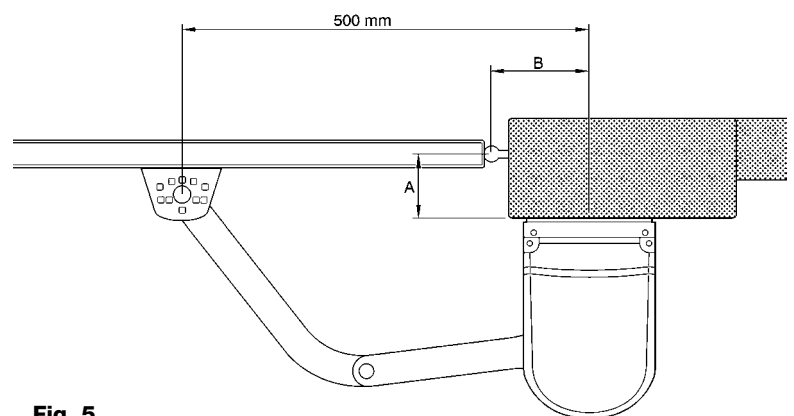


Fig. 5

1. Using the leaf opening angle as a guideline, check that the values in **Tab. 1** can be met.
2. Measure the value of "A" on site.
3. The value of "B" can be calculated from **Table 1** using the value of "A" together with the opening angle of the leaves. For example, if "A" is 100mm and a 100° opening is required, the value of "B" should be approximately 180mm.

2.4) Mounting the motor bracket to the pillar (Fig. 6)

Use screws which are suitable for the material the pillar is made of. Mount the bracket horizontally.

2.5) Assembly of the straight arm (Fig. 7)

Use the M8x25 screw with its relative grower washer. Make sure the arm is positioned by making it come out of the front part.

2.6) Mounting the gearmotor (Fig. 8)

Insert the POP in the plate at point C and mount it onto the former using M6x100 screws and the nuts supplied.

2.7) Assembling the curved arm and mounting the adjustable bracket to the leaf (Fig. 9)

Use the M8x45 screw complete with plastic washer to mount the two arms, and the M8x35 screw for mounting the curved arm with the adjustable bracket.
The bracket is either welded to the gate or fastened to it using screws

which are suitable for the material the leaf is made of. The two brackets must be 500mm apart (**Fig. 5-6**), fastened horizontally, and off-set compared with the motor bracket at 100mm.

2.8) Releasing the gearmotor from the inside (Fig. 10)

This is carried out in two steps:

- A:** lift the cover.
- B:** insert the release key supplied and turn it clockwise until it stops.

2.8.1) Releasing the gearmotor from the outside (Fig. 11) (optional)

The release system is assembled in six steps:

- A:** remove the plastic cover (1)
- B:** screw the pin (3) onto the release shaft (2)
- C:** screw the cable stretcher (4) into the special hole (5)
- D:** secure the spring (6) to the pin (3) and to the fastening point visible in the shell.
- E:** slide the release cable (7) into the pin hole (3) and cable stretcher (4).
- F:** replace the plastic cover (1) to its original position.

2.9) Securing the opening stop (Fig. 12)

This is carried out after unblocking the gearmotor, using two M6x25 screws placed in the most suitable position.

2.10) Electrical connections

Consult the Control Unit POA1 instruction booklet for the electrical connections.

2.11) Connection to the power supply (Fig. 13)

- On PP7024:** connect the 230V supply cable directly to the fuse holder terminal.
- On PP7224:** connect the cable from the PP7024 unit to the mammoth terminal.

2.12) Using buffer batteries (Fig. 14) (optional)

POP comes complete with housing for buffer batteries (optional). Break open the plastic cap on the control unit box in order to connect the box with the battery.

3) Manual or release manoeuvre

The manual operation (**Fig. 10**) must be resorted to in case of power failures or system malfunctions.

The manual manoeuvre only allows the gearmotor to travel freely if it is assembled correctly, complete with original accessories.

4) Testing and commissioning

These are the most important operations, designed to guarantee the maximum safety of the automation system. The testing procedure can also be used as a periodic check of the devices that make up the automation. The testing of the automation system must be performed by qualified and experienced personnel who must establish

what tests should be conducted based on the risk involved, and verify the compliance of the system with applicable regulations, legislation and standards, in particular with all the provisions of EN standard 12445 which establishes the test methods for gate automation systems.

4.1) Testing

1. Make sure that the provisions contained in the chapter "WARNINGS" have been carefully observed.
2. Test the opening and closing of the gate and make sure that the leaves move in the intended direction. The test should be carried out a number of times to make sure that the gate moves smoothly, that there are no points of excessive friction and that there are no defects in the assembly or adjustments.
3. Check the proper operation of all the safety devices, one by one.
4. Measure the impact force according to EN standard 12445. If "motor force" control is used to assist the system for the reduction of the impact force, try to find the adjustment that gives the best results.

5) Maintenance

The maintenance operations must be performed in strict compliance with the safety directions provided in this manual and according to the applicable legislation and standards. POP does not require any special maintenance. However, periodically make sure (at least once

every six months) that all the devices are perfectly efficient. To this end, carry out all the tests and checks described in paragraph 4.1 "Testing". If other devices are present, follow the directions provided in the corresponding maintenance schedule.

5.1) Disposal

POP is constructed of various types of materials, some of which can be recycled (aluminium, plastic, electric cables), while others must be disposed of (electronic boards).

⚠ WARNING: some electronic components may contain polluting substances; do not pollute the environment. Enquire about the recycling or disposal systems available in compliance with regulations locally in force.

1. Disconnect the automation system from the electric mains.
2. Disassemble all the devices and accessories, following in reverse order the procedures described in chapter 2 "Installation".
3. Remove the electronic board.
4. Sort the various electrical and recyclable materials and consign them to licensed firms for recovery and disposal.
5. Consign the remaining materials to authorized scrap collection centres.

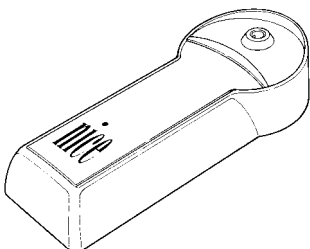
6) Technical characteristics

		PP7024	PP7024/V1	PP7224*
Power supply	Vac/Hz	230/50	120/50-60	/
	Vdc	/	/	24
Max. current	A	~1	~2	3
Motor power	W		75	
Torque	Nm		180	
Opening time	s		10	
Operating temperature	°C		-20°÷50°	
Protection class			IP 44	
Work cycle			30%	
Insulation class			1	B

* This version does not have a control unit.

7) Accessories

KIO - Key-operated selector switch with cord-type release





pop

Instructions and warnings for users of the POP gearmotor

Congratulations for having chosen a Nice product for your automation system!

Nice S.p.a. produces components for the automation of gates, doors, rolling gates, roller shutters and awnings: gearmotors, control units, radio controls, flashing lights, photocells and miscellaneous accessories. Nice uses only the finest materials and first-class workmanship. It focuses on the development of innovative solutions designed to simplify the use of its equipment, dedicating meticulous care to the study of its technical, aesthetic and ergonomic characteristics. From the wide range of Nice products, your installation technician will certainly have selected the one best suited to your specific requirements.

However, Nice is not the producer of your automation system, which is rather the result of a combination of operations carried out by your installation technician, namely analysis, evaluation, selection of materials and system implementation. Each automation system is unique. Your installation technician is the only person who possesses the experience and professionalism needed to set up a system capable of satisfying your requirements, a system that is safe, reliable, long lasting and built in accordance with the regulations in force.

An automation system is not only very convenient; it also improves the level of security in your home. Moreover, it will last for years with very little maintenance. Even though the automation system you possess meets the safety requirements of the legislation in force, this does not exclude the existence of a "residual risk", i.e. the possibility that dangers may arise, usually as a result of improper or unreasonable use. We have prepared the following list of do's and don'ts to help you avoid any mishaps:

- **Before using your automation system for the first time**, ask the installer to explain the origin of any residual risks; take a few minutes and read the **users instructions manual** given you by the installer. Retain the manual for future use and deliver it to any subsequent owner of the automation system.
- **Your automation system is a machine that will faithfully execute your commands**; unreasonable or improper use may generate dangers: do not operate the system if there are people, animals or objects within its range of operation.
- **Children**: automation systems are designed to guarantee high levels of safety and security. They are equipped with detection devices that prevent movement if people or objects are in the way, guaranteeing safe and reliable activation. However, children should not be allowed

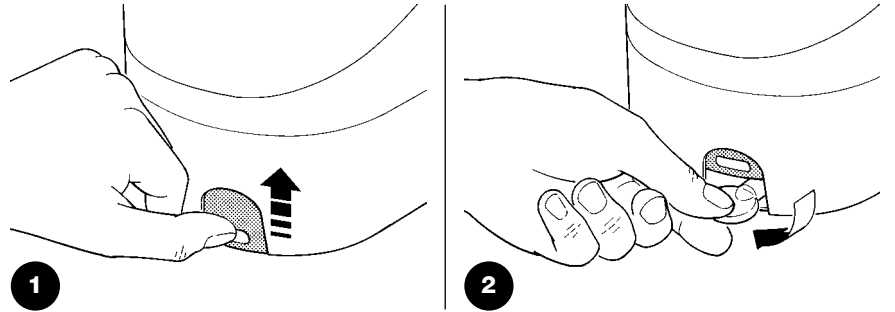
to play in the vicinity of automated systems; to prevent any accidental activations, keep all remote controls away from children: **they are not toys!**

- **Malfunctions:** If you notice that your automation is not functioning properly, disconnect the power supply to the system and operate the manual release device. Do not attempt to make any repairs; call the installation technician and, in the meantime, operate the system like a non-automatic gate after releasing the gearmotor as described below.
- **Maintenance:** Like any machine, your automation needs regular periodic maintenance to ensure its long life and total safety. Arrange a periodic maintenance schedule with your installation technician. Nice recommends that maintenance checks be carried out every six months for normal domestic use, but this interval may vary depending on the intensity of use. Only qualified personnel are authorized to carry out checks, maintenance operations and repairs.
- Do not modify the system or its programming and adjustment parameters in any way, even if you feel capable of doing it: your installation technician is responsible for the system.

- The final test, the periodic maintenance operations and any repairs must be documented by the person who has performed them; these documents must remain under the custody of the owner of the system.
- **Disposal.** At the end of its useful life, the automation must be dismantled by qualified personnel, and the materials must be recycled or disposed of in compliance with the legislation locally in force.
- **In the event of malfunctions or power failures.** While you are waiting for the technician to come (or for the power to be restored if your system is not equipped with buffer batteries), you can operate the system like any non-automatic gate. In order to do this you need to manually release the gearmotor: this operation, which is the only one that the user of the automation is authorized to perform, has been carefully designed by Nice to make it extremely easy, without any need for tools or physical exertion.

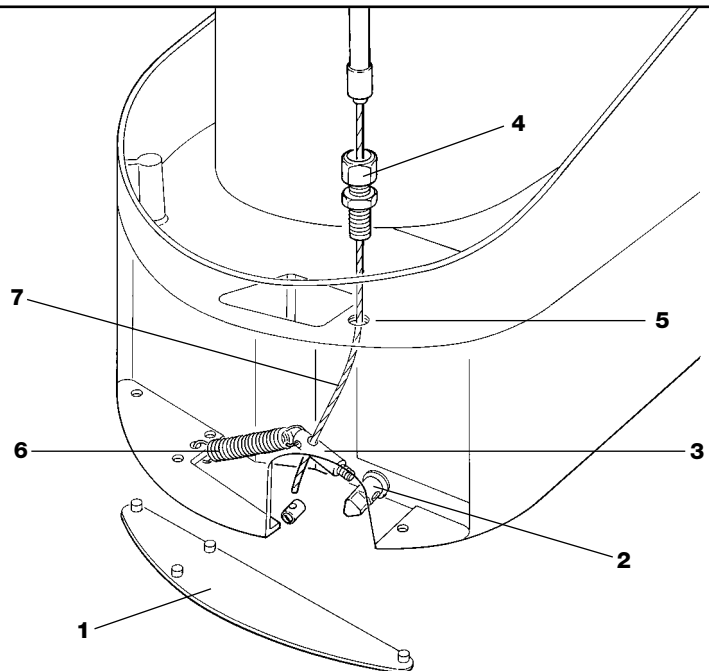
Releasing the gearmotor from the inside

1. Lift the cover.
2. Insert the release key supplied and turn it clockwise until it stops.



Releasing the gearmotor from the outside (optional)

- Remove the plastic cover (1)
- Screw the pin (3) onto the release shaft (2)
- Screw the cable stretcher (4) into the special hole (5)
- Secure the spring (6) to the pin (3) and to the fastening point in the shell.
- Slide the release cable (7) into the pin hole (3) and cable stretcher (4)
- Replace the plastic cover (1) to its original position.



Important: if your system is equipped with a radio control that, after a period of time, seems not to work as well, or not to work at all, it may simply be that the battery is exhausted (depending on the type of battery, it may last from several months up to two or three years). In this case you will see that the light confirming the transmission is weak, or does not come on, or comes on only briefly. Before calling the installation technician try exchanging the battery with one from another operating transmitter: if the problem is caused by a low battery, just replace it with another of the same type.

Are you satisfied? If you wish to install another automation system in your home, call your old installation technician and use Nice products. You will get the services of a specialist and the most advanced products available on the market, superior performances and maximum system compatibility.

Thank you for reading these instructions. We feel confident that you will be well satisfied with your new system. For any present or future requirements, please contact your reliable installation technician.

pop

Indice:	pag.		pag.		
1	Descrizione del prodotto	8	3	Manovra manuale o sblocco	9
2	Installazione	8	4	Collaudo e messa in servizio	10
2.1	Verifiche preliminari	8	4.1	Collaudo	10
2.2	Impianto tipico	8	5	Manutenzione	10
2.3	Fissaggio	8	5.1	Smaltimento	10
2.4	Fissaggio della staffa attacco motore al pilastro	9	6	Caratteristiche tecniche	10
2.5	Montaggio del braccio dritto	9	7	Accessori	10
2.6	Fissaggio del motoriduttore	9		Istruzioni ed avvertenze destinate all'utilizzatore del motoriduttore POP	11
2.7	Montaggio del braccio curvo e fissaggio della staffa regolabile all'anta	9			
2.8	Sblocco del motoriduttore dall'interno	9			
2.8.1	Sblocco del motoriduttore dall'esterno (opzionale)	9			
2.9	Fissaggio del fincorsa meccanico in apertura	9			
2.10	Collegamenti elettrici	9			
2.11	Allacciamento all'alimentazione	9			
2.12	Utilizzo batterie tampone (opzionali)	9			

Avvertenze

E' necessario leggere tutte le istruzioni prima di procedere all'installazione, in quanto forniscono importanti indicazioni riguardanti la sicurezza, l'installazione, l'uso e la manutenzione.

Per rendere più semplice l'uso di queste istruzioni si è cercato, di rispettare l'ordine con cui devono essere eseguite le varie fasi dell'installazione. Tutto quello che non è espressamente previsto in queste istruzioni non è permesso, usi non previsti potrebbero essere fonte di danni al prodotto e mettere in pericolo persone e cose.

Nice declina qualsiasi responsabilità dall'inosservanza della buona tecnica nella costruzione dei cancelli, nonché delle deformazioni che potrebbero verificarsi durante l'uso.

Conservare questo manuale anche per utilizzi futuri.

La progettazione, la fabbricazione dei dispositivi che compongono POP ed il presente manuale rispettano pienamente la norma vigente.

Considerando le situazioni di rischio che possono verificarsi durante l'installazione e l'uso di POP è necessario che anche l'installazione avvenga nel pieno rispetto di leggi, norme e regolamenti; in particolare:

- Prima di iniziare l'installazione verificare la necessità di ulteriori dispositivi e materiali che possono servire a completare l'automazione con POP in base alla specifica situazione d'impiego.
- L'automatismo non deve essere utilizzato prima di aver effettuato la messa in servizio come specificato nel paragrafo: Messa in servizio.
- Il materiale dell'imballaggio deve essere smaltito nel pieno rispetto della normativa locale.
- Non eseguire modifiche su nessuna parte se non previste nel presente manuale. Operazioni di questo tipo possono solo causare malfunzionamento. NICE declina ogni responsabilità per danni derivati da prodotti modificati.

- Evitare che le parti dell'automatismo possano venir immerse in acqua o in altre sostanze liquide. Anche durante l'installazione evitare che liquidi possano penetrare all'interno della centrale e di altri dispositivi aperti.
- Qualora sostanze liquide siano penetrate all'interno dei dispositivi dell'automatismo, scollegare immediatamente l'alimentazione elettrica e rivolgersi al servizio di assistenza NICE; l'uso di POP in tali situazioni può causare situazioni di pericolo.
- Non tenere qualsiasi componente di POP vicino a fonti di calore né esporlo a fiamme; tali azioni possono danneggiarlo ed essere causa di malfunzionamenti, incendio o situazioni di pericolo.
- Nel caso di lunghi periodi di inutilizzo, per evitare il rischio di perdite di sostanze nocive dalla batteria opzionale è preferibile estrarla e custodirla in luogo asciutto.
- Collegare la centrale solo ad una linea di alimentazione elettrica dotata di messa a terra di sicurezza.
- Tutte le operazioni che richiedono l'apertura dei gusci di POP devono avvenire con la centrale di comando scollegata e dall'alimentazione elettrica; se il dispositivo di sconnessione non è a vista apporvi un cartello: "ATTENZIONE MANUTENZIONE IN CORSO".
- Qualora si verificano interventi di interruttori automatici o di fusibili, prima di ripristinarli è necessario individuare ed eliminare il guasto.
- Nel caso di guasto non risolvibile facendo uso delle informazioni riportate nel presente manuale, interpellare il servizio di assistenza NICE.

1) Descrizione del prodotto

POP è un motoriduttore per cancelli a battente di medie e piccole dimensioni. Permette di automatizzare cancelli con ante aventi lunghezza Max di 1,8m e peso fino a 200kg.
Il motore esiste in due versioni:

- PP7024 con centrale di comando incorporata ed alimentazione a 230V (Nella versione PP7024/V1 alimentazione a 120V).
- PP7224 priva di centrale di comando, il motoriduttore PP7224 si collega alla centrale di comando di PP7024.

2) Installazione

L'installazione deve essere effettuata da personale qualificato ed esperto e nel pieno rispetto di quanto riportato nel capitolo "AVVERTENZE".

2.1) Verifiche preliminari

Si ricorda che POP motorizza un cancello di per sé efficiente e sicuro e non sopprime a difetti causati da una sbagliata installazione, o da una cattiva manutenzione.

Prima di procedere alla motorizzazione verificare che la struttura sia idonea, in altre parole, conforme alle norme vigenti. In particolare verificare che:

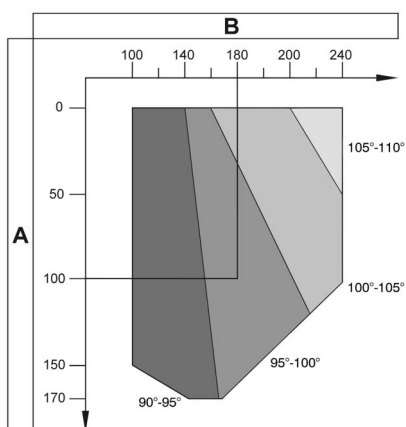
- La confezione sia integra e contenga tutte le parti presenti in **Fig. 1**
 - o Nr.1 pz. PP7024
 - o Nr.1 pz. PP7224
 - o Nr.2 pz. Braccio dritto
 - o Nr.2 pz. Braccio curvo
 - o Nr.2 pz. Staffa attacco motore
 - o Nr.1 pz. Scatola accessori
 - o Nr.1 pz. Scatola elettronica "Openkit"
- Il cancello non presenti punti d'attrito sia in chiusura che in apertura.
- Il cancello sia ben bilanciato, ossia, fermato in qualsiasi posizione non accenni a riprendere il moto.
- La zona individuata per il fissaggio del motoriduttore consenta una manovra manuale facile e sicura.
- Verificare che la zona di fissaggio sia compatibile con l'ingombro del motoriduttore (**Fig. 2**).
- Verificare che i punti di fissaggio dei vari dispositivi siano in zone protette da urti e le superfici siano sufficientemente solide.
- Verificare che le superfici di fissaggio delle fotocellule siano piane e permettano un corretto allineamento tra TX e RX.
- Verificare che vi sia uno spazio sufficiente alla rotazione del braccio (**Fig. 3**)

2.2) Impianto tipico (Fig. 4)

1. Attuatore POP "PP7024"
2. Attuatore POP "PP7224"
3. Fotocellula
4. Antenna
5. Lampeggiante
6. Selettore a chiave
7. Colonnina per fotocellule (opzionale)
8. Linea elettrica di alimentazione.

2.3) Fissaggio (Fig. 5)

Le operazioni per il fissaggio delle staffe sono le seguenti:



Tab. 1

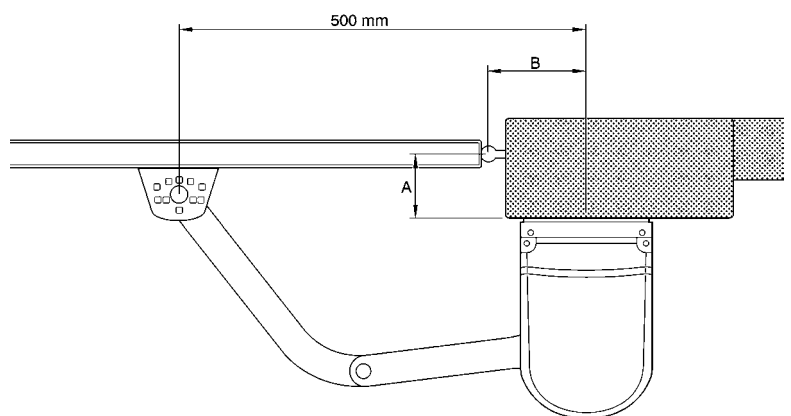


Fig. 5

1. Verificare, in base all'angolo di apertura delle ante, che sia possibile rispettare le quote riportate nella **Tab. 1**
2. Misurare sul posto il valore di "A".
3. In base alla quota "A" ed all'angolo di apertura delle ante nella tabella si può ricavare il valore di "B" dalla **Tab. 1**. Ad esempio: se "A" è uguale a 100mm e si desidera un'apertura di 100° "B" dovrà essere all'incirca di 180mm.

2.4) Fissaggio della staffa attacco motore al pilastro (Fig. 6)

Viene eseguito usando viti adatte al materiale del pilastro. Fissare la staffa in posizione orizzontale.

2.5) Montaggio del braccio dritto (Fig. 7)

Viene eseguito utilizzando la vite M8x25 con relativa rondella grower. Fare attenzione nel posizionare il braccio facendolo uscire nella parte anteriore.

2.6) Fissaggio del motoriduttore (Fig. 8)

Viene eseguito inserendo POP nella piastra a C e fissandolo a questa tramite le viti M6x100 ed i relativi dadi in dotazione.

2.7) Montaggio del braccio curvo e fissaggio della staffa regolabile all'anta (Fig. 9)

Viene eseguito utilizzando la vite M8x45 con relative rondelle in plastica per il fissaggio dei due bracci e la vite M8x35 per il fissaggio del braccio curvo con la staffa regolabile.

La staffa viene fissata al cancello tramite saldatura oppure usando

delle viti adatte al materiale dell'anta.

La posizione della staffa deve rispettare la quota 500mm (Fig. 5-6) e deve essere fissata in posizione orizzontale e sfalsata rispetto alla staffa attacco motore della quota di 100mm.

2.8) Sblocco del motoriduttore dall'interno (Fig. 10)

Viene eseguito in due fasi:

A: sollevare lo sportellino

B: Inserire la chiave di sblocco (in dotazione) e ruotarla in senso orario fino al suo arresto.

2.8.1) Sblocco del motoriduttore dall'esterno (fig. 11) (opzionale)

Il montaggio del sistema di sblocco viene eseguito in sei fasi:

A: Staccare il coperchietto in plastica (1)

B: Avvitare sull'albero di sblocco (2) il pernetto (3)

C: Avvitare il tendicorda (4) nell'apposito foro (5)

D: Fissare la molla (6) al pernetto (3) ed al punto di fissaggio predisposto nel guscio

E: Far scorrere il cavo di sblocco (7) all'interno dei fori del pernetto (3) e del tendicorda (4)

F: Ricollocare il coperchietto in plastica (1) nella sua posizione originale

2.9) Fissaggio del finecorsa meccanico in apertura (fig. 12)

Viene eseguito, dopo aver sbloccato il motoriduttore, tramite due viti M6x25 nella posizione più idonea.

2.10) Collegamenti elettrici

Per i collegamenti elettrici vedere il fascicolo di istruzioni della centrale di comando POA1.

2.11) Allacciamento all'alimentazione (Fig. 13)

Su PP7024: collegare il cavo di alimentazione (230V) direttamente sul morsetto portafusibile.

Su PP7224: collegare il cavo che proviene dalla centrale del PP7024 sul morsetto mammut.

2.12) utilizzo batterie tampone (Fig. 14) (opzionali)

POP è dotato di scomparto per batteria tampone (opzionali). Rompere il pre-stacco del box centralina e cablare quest'ultima con le batterie stesse.

3) Manovra manuale o sblocco

L'operazione manuale (Fig. 10) si deve eseguire nel caso di mancanza di corrente o in caso di anomalie dell'impianto.

La manovra manuale consente una corsa libera del motoriduttore solo se montato correttamente e con gli accessori originali.

4) Collaudo e messa in servizio

Queste sono le fasi più importanti nella realizzazione dell'automazione al fine di garantire la massima sicurezza. Il collaudo può essere usato anche come verifica periodica dei dispositivi che compongono l'automatismo.

Il collaudo dell'intero impianto deve essere eseguito da personale

esperto e qualificato che deve farsi carico delle prove richieste, in funzione del rischio presente e di verificare il rispetto di quanto previsto da leggi, normative e regolamenti, ed in particolare tutti i requisiti della norma EN12445 che stabilisce i metodi di prova per la verifica degli automatismi per cancelli.

4,1) Collaudo

1. Verificare che sia rispettato rigorosamente quanto previsto nel capitolo "AVVERTENZE".
2. Effettuare delle prove di apertura e di chiusura del cancello e verificare che il movimento dell'anta corrisponda a quanto previsto. Conviene effettuare diverse prove al fine di valutare la scorrevolezza del cancello ed eventuali difetti di montaggio o regolazione nonché la presenza di particolari punti d'attrito.
3. Verificare ad uno ad uno il corretto funzionamento di tutti i dispositivi di sicurezza presenti nell'impianto.
4. Eseguire la misura della forza d'impatto secondo quanto previsto dalla norma EN 12445 ed eventualmente se il controllo della "forza motore" viene usato come ausilio al sistema per la riduzione della forza di impatto, provare e trovare la regolazione che dia i migliori risultati.

5) Manutenzione

La manutenzione deve essere effettuata nel pieno rispetto delle prescrizioni sulla sicurezza del presente manuale e secondo quanto previsto dalle leggi e normative vigenti.

POP non necessita di manutenzioni particolari; verificare comunque

periodicamente, almeno ogni sei mesi, la perfetta efficienza di tutti i dispositivi. A tale scopo eseguire per intero le prove e le verifiche previste nel paragrafo 4.1 "Collaudo". Se sono previsti altri dispositivi seguire quanto previsto nel rispettivo piano manutenzione.

5.1) Smaltimento

POP è costituito da diverse tipologie di materiali, alcuni di questi possono essere riciclati (alluminio, plastica, cavi elettrici), altri dovranno essere smaltiti (schede e componenti elettronici).

⚠ ATTENZIONE: alcuni componenti elettronici potrebbero contenere sostanze inquinanti, non disperderli nell'ambiente. Informatevi sui sistemi di riciclaggio o smaltimento attenendovi alle norme in vigore a livello locale.

1. Staccare l'automatismo dalla rete elettrica.
2. Smontare tutti i dispositivi ed accessori, seguendo il procedimento inverso a quello descritto nel capitolo 2 "installazione"
3. Rimuovere la scheda elettronica.
4. Smistare ed affidare i vari materiali elettrici e riciclabili a ditte abilitate al recupero e smaltimento degli stessi.
5. Rottamare le restanti strutture attraverso i centri di raccolta previsti.

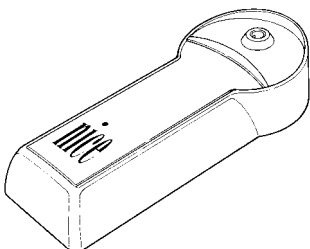
6) Caratteristiche tecniche

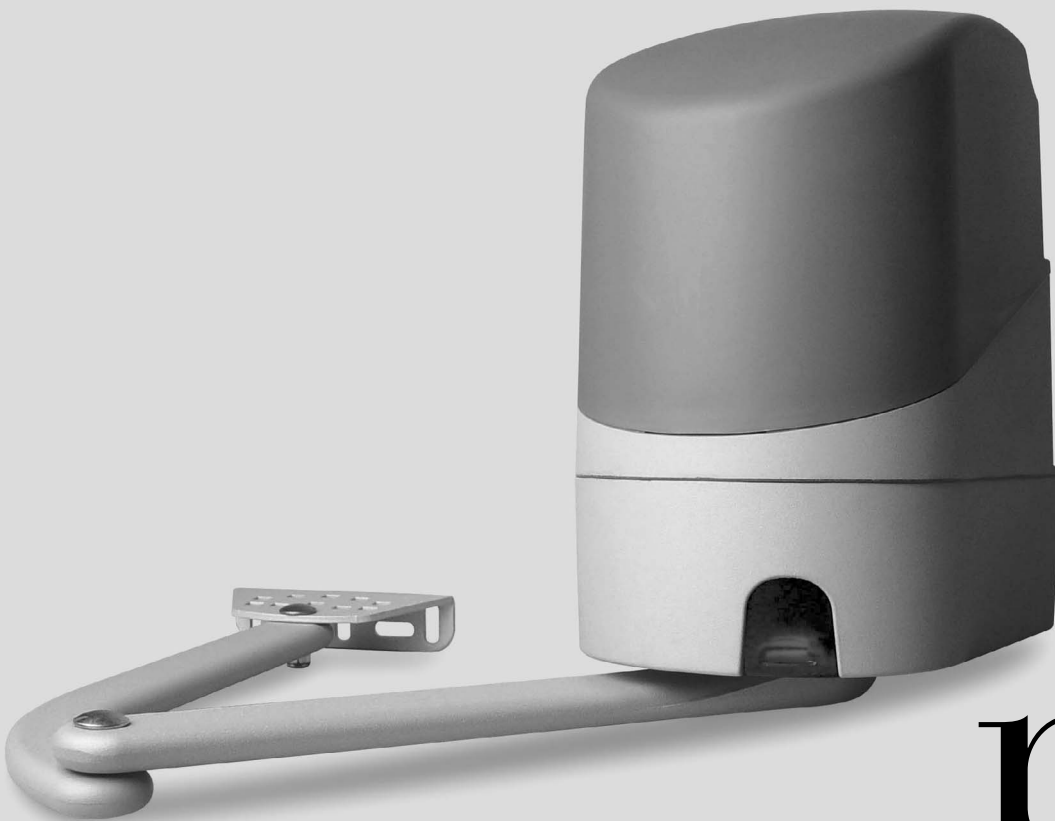
		PP7024	PP7024/V1	PP7224*
Alimentazione	Vac/Hz	230/50	120/50-60	/
	Vdc	/	/	24
Corrente Max	A	~1	~2	3
Potenza motore	W		75	
Coppia	Nm		180	
Tempo di apertura	s		10	
Temperatura di esercizio	°C		-20°÷50°	
Grado di protezione			IP 44	
Cicli di lavoro			30%	
Classe di isolamento			1	B

* Versione priva di centrale di comando

7) Accessori

KIO - Selettore a chiave con sblocco a fune





pop

Istruzioni ed avvertenze destinate all'utilizzatore del motoriduttore POP

Complimenti per aver scelto per la vostra automazione un prodotto Nice!

Nice S.p.a. produce componenti per l'automazione di cancelli, porte, serrande, tapparelle e tende da sole: motoriduttori, centrali di comando, radiocomandi, lampeggianti, fotocellule e accessori.

Nice utilizza solo materiali e lavorazioni di qualità, e per vocazione ricerca soluzioni innovative che semplifichino al massimo l'utilizzo delle sue apparecchiature, curate nelle soluzioni tecniche, estetiche, ergonomiche: nella grande gamma Nice il vostro installatore avrà senz'altro scelto il prodotto più adatto alle vostre esigenze.

Nice non è però il produttore della vostra automazione, che è invece il risultato di un'opera di analisi, valutazione, scelta dei materiali, e realizzazione dell'impianto eseguita dal vostro installatore di fiducia.

Ogni automazione è unica e solo il vostro installatore possiede l'esperienza e la professionalità necessarie ad eseguire un impianto secondo le vostre esigenze, sicuro ed affidabile nel tempo, e soprattutto a regola d'arte, rispondente cioè alle normative in vigore.

Un impianto di automazione è una bella comodità, oltre che un valido sistema di sicurezza e, con poche, semplici attenzioni, è destinato a durare negli anni.

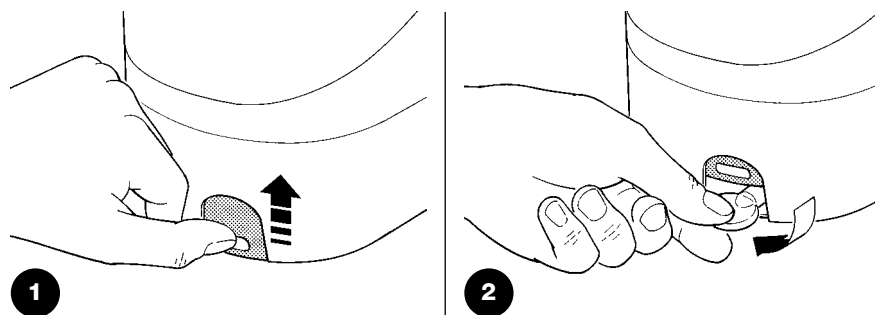
Anche se l'automazione in vostro possesso soddisfa il livello di sicurezza richiesto dalle normative, questo non esclude l'esistenza di un "rischio residuo", cioè la possibilità che si possano generare situazioni di pericolo, solitamente dovute ad un utilizzo incosciente o addirittura errato, per questo motivo desideriamo darvi alcuni consigli sui comportamenti da seguire per evitare ogni inconveniente:

- **Prima di usare per la prima volta l'automazione**, fatevi spiegare dall'installatore l'origine dei rischi residui, e dedicate qualche minuto alla lettura del manuale di **istruzioni ed avvertenze per l'utilizzatore** consegnatovi dall'installatore. Conservate il manuale per ogni dubbio futuro e consegnatelo ad un eventuale nuovo proprietario dell'automazione.
- **La vostra automazione è un macchinario che esegue fedelmente i vostri comandi**; un uso incosciente ed improprio può farlo diventare pericoloso: non comandate il movimento dell'automazione se nel suo raggio di azione si trovano persone, animali o cose.

- **Bambini:** un impianto di automazione garantisce un alto grado di sicurezza, impedendo con i suoi sistemi di rilevazione il movimento in presenza di persone o cose, e garantendo un'attivazione sempre prevedibile e sicura. È comunque prudente vietare ai bambini di giocare in prossimità dell'automazione e per evitare attivazioni involontarie non lasciare i telecomandi alla loro portata: **non è un gioco!**
- **Anomalie:** Non appena notate qualunque comportamento anomalo da parte dell'automazione, togliete alimentazione elettrica all'impianto ed eseguite lo sblocco manuale. Non tentate da soli alcuna riparazione, ma richiedete l'intervento del vostro installatore di fiducia: nel frattempo l'impianto può funzionare come un'apertura non automatizzata, una volta sbloccato il motoriduttore come descritto più avanti.
- **Manutenzione:** Come ogni macchinario la vostra automazione ha bisogno di una manutenzione periodica affinché possa funzionare più a lungo possibile ed in completa sicurezza. Concordate con il vostro installatore un piano di manutenzione con frequenza periodica; Nice consiglia un intervento ogni 6 mesi per un normale utilizzo domestico, ma questo periodo può variare in funzione dell'intensità d'uso. Qualunque intervento di controllo, manutenzione o riparazione deve essere eseguito solo da personale qualificato.
- Anche se ritenete di saperlo fare, non modificate l'impianto ed i parametri di programmazione e di regolazione dell'automazione: la responsabilità è del vostro installatore.
- Il collaudo finale, le manutenzioni periodiche e le eventuali riparazioni devono essere documentate da chi le esegue e i documenti conservati dal proprietario dell'impianto.
- **Smaltimento:** Al termine della vita dell'automazione, assicuratevi che lo smantellamento sia eseguito da personale qualificato e che i materiali vengano riciclati o smaltiti secondo le norme valide a livello locale.
- **In caso di rotture o assenza di alimentazione:** Attendendo l'intervento del vostro installatore, (o il ritorno dell'energia elettrica se l'impianto non è dotato di batterie tampone), l'impianto può essere azionato come una qualunque apertura non automatizzata. Per fare ciò è necessario eseguire lo sblocco manuale: questa operazione, che è l'unica che può essere eseguita dall'utilizzatore dell'automazione, è particolarmente curata da Nice per assicurarvi sempre la massima facilità di utilizzo, senza uso di attrezzi o necessità di sforzo fisico.

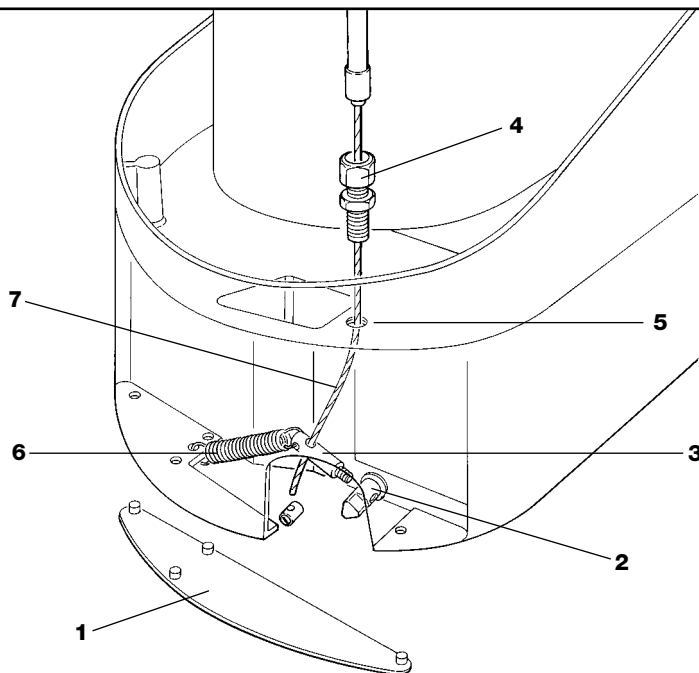
Sblocco del motoriduttore dall'interno

1. Sollevare lo sportellino
2. Inserire la chiave di sblocco (in dotazione) e ruotarla in senso orario fino al suo arresto.



Sblocco del motoriduttore dall'esterno (opzionale)

- Staccare il coperchietto in plastica (1)
- Avvitare sull'albero di sblocco (2) il pernetto (3)
- Avvitare il tendicorda (4) nell'apposito foro (5)
- Fissare la molla (6) al pernetto (3) ed al punto di fissaggio predisposto nel guscio
- Far scorrere il cavo di sblocco (7) all'interno dei fori del pernetto (3) e del tendicorda (4)
- Ricollocare il coperchietto in plastica (1) nella sua posizione originale



Importante: se il vostro impianto è dotato di un radiocomando che dopo qualche tempo vi sembra funzionare peggio, oppure non funzionare affatto, potrebbe semplicemente dipendere dall'esaurimento della pila (a seconda del tipo, possono trascorrere da diversi mesi fino a due/tre anni). Ve ne potete accorgere dal fatto che la spia di conferma della trasmissione è fioca, non si accende affatto, oppure si accende solo per un breve istante. Prima di rivolgervi all'installatore provate a scambiare la pila con quella di un altro trasmettitore eventualmente funzionante: se questa fosse la causa dell'anomalia, sarà sufficiente sostituire la pila con altra dello stesso tipo.

Siete soddisfatti? Nel caso voleste aggiungere nella vostra casa un nuovo impianto di automazione, rivolgendovi allo stesso installatore e a Nice vi garantirete, oltre che la consulenza di uno specialista e i prodotti più evoluti del mercato, il migliore funzionamento e la massima compatibilità delle automazioni.

Vi ringraziamo per aver letto queste raccomandazioni, e vi auguriamo la massima soddisfazione dal vostro nuovo impianto: per ogni esigenza presente o futura rivolgetevi con fiducia al vostro installatore.

pop

Table des matières:

page

page

1	Description du produit	14
2	Installation	14
2.1	Contrôles préliminaires	14
2.2	Installation typique	14
2.3	Fixation	14
2.4	Fixation de la patte de fixation du moteur au pilier	15
2.5	Montage du bras droit	15
2.6	Fixation de l'opérateur	15
2.7	Montage du bras courbe et fixation de la patte réglable au battant	15
2.8	Débrayage de l'opérateur de l'intérieur	15
2.8.1	Débrayage de l'opérateur de l'extérieur (option)	15
2.9	Fixation de la butée mécanique en ouverture	15
2.10	Connexions électriques	15
2.11	Branchement au secteur	15
2.12	Utilisation de la batterie tampon (options)	15

3	Manceuvre manuelle ou débrayage	15
4	Essai et mise en service	16
4.1	Essai	16
5	Maintenance	16
5.1	Mise au rebut	16
6	Caractéristiques techniques	16
7	Accessoires	16
	Instructions et avertissements pour l'utilisateur de l'opérateur POP	17

Recommandations

Il est nécessaire de lire attentivement les instructions avant de procéder à l'installation, car elles fournissent des indications importantes au sujet de la sécurité, de l'installation, de l'utilisation et de la maintenance.

Pour faciliter l'utilisation de ces instructions, nous avons tenté de respecter l'ordre dans lequel il faut exécuter les différentes phases de l'installation. Tout ce qui n'est pas expressément prévu dans ces instructions n'est pas permis. Les usages non prévus pourraient être source de dommages pour le produit et mettre en danger les personnes et les choses. NICE décline toute responsabilité pour les dommages résultant de la non-observation des règles de l'art dans la construction des portails ainsi que pour les déformations qui pourraient se vérifier durant l'emploi. Conserver ce manuel pour toute consultation future.

La conception, la fabrication des dispositifs qui composent POP et le présent manuel respectent pleinement les normes en vigueur.

Compte tenu des situations de risque qui peuvent se vérifier durant l'installation et l'utilisation de POP, il est nécessaire que l'installation soit effectuée elle aussi dans le plein respect des lois, des normes et des règlements, en particulier:

- Avant de commencer l'installation, vérifier la nécessité d'autres dispositifs ou de matériel complémentaire pouvant servir pour compléter l'automatisation avec POP suivant la situation d'utilisation spécifique.
- L'automatisme ne doit pas être utilisé avant d'avoir effectué la mise en service conformément aux indications du paragraphe: Mise en service.
- L'emballage doit être mis au rebut dans le plein respect de la réglementation locale.
- Ne pas effectuer de modifications sur aucune des parties si elles ne sont pas prévues dans le présent manuel. Des opérations de ce type entraîneront obligatoirement des problèmes de fonctionnement.

NICE décline toute responsabilité pour les dommages dérivant de produits modifiés.

- Éviter que les parties de l'automatisme puissent se trouver immergées dans l'eau ou dans d'autres substances liquides. Durant l'installation également, éviter que des liquides puissent pénétrer à l'intérieur de la logique de commande et d'autres dispositifs ouverts.
- Si des substances liquides ont pénétré à l'intérieur des dispositifs de l'automatisme, débrancher immédiatement l'alimentation électrique et s'adresser au service après-vente NICE; l'utilisation de POP dans de telles conditions peut causer des situations de danger.
- Ne tenir aucun composant de POP à proximité de sources de chaleur et ne pas l'exposer à des flammes; cela pourrait l'endommager et causer des problèmes de fonctionnement, provoquer un incendie ou des situations de danger.
- Dans le cas de longues périodes de non-utilisation, pour éviter le risque de fuites de substances nocives de la batterie en option il vaut mieux la retirer et la conserver dans un lieu sec.
- Connecter la logique de commande uniquement à une ligne d'alimentation électrique munie de mise à la terre.
- Toutes les opérations qui demandent l'ouverture des carters de POP doivent être faites avec la logique de commande déconnectée de l'alimentation électrique; si le dispositif de déconnexion n'est pas visible, accrocher un panneau: "ATTENTION MAINTENANCE EN COURS".
- Si l'intervention de disjoncteurs ou de fusibles se vérifie, avant de les réarmer, il faut identifier et éliminer la panne.
- Dans le cas de panne qui ne peut pas être résolue avec les informations données dans le présent manuel, contacter le service après-vente NICE.

1) Description du produit

POP est un opérateur pour portails battants de petites et moyennes dimensions. Il permet d'automatiser des portails ayant des battants d'une longueur max. d'1,8 m et pesant jusqu'à 200kg.

- PP7024 avec logique de commande incorporée et alimentation à 230V. (Dans la version PP7024/V1 alimentation à 120V)
- PP7724 sans logique de commande, l'opérateur PP07224 se connecte à la logique de commande de PP 7024.

2) Installation

L'installation doit être effectuée par du personnel qualifié et dans le plein respect des indications du chapitre "AVERTISSEMENTS".

2.1) Contrôles préliminaires

Nous rappelons que POP motorise un portail fonctionnant correctement et sûr et il ne peut pas résoudre des défauts causés par une installation erronée ou par une mauvaise maintenance du portail. Avant de procéder à la motorisation, vérifier que la structure est adaptée, en d'autres termes, vérifier qu'elle est conforme aux normes en vigueur. En particulier, vérifier que:

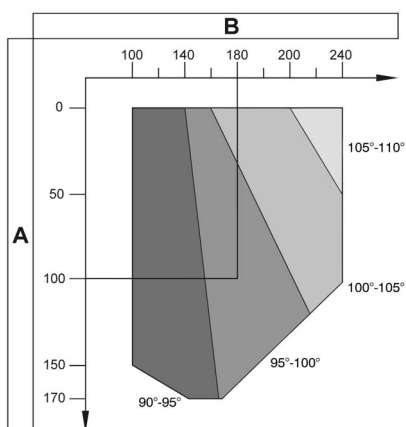
- L'emballage est intact et contient toutes les pièces indiquées sur la **fig. 1**.
 - o 1 p.ce PP7024
 - o 1 p.ce PP7224
 - o 2 p.ces Bras droit
 - o 2 p.ces Bras courbe
 - o 2 p.ces Patte de fixation moteur
 - o 1 p.ce Boîte accessoires
 - o 1 p.ce Boîte électronique "Openkit"
- Le portail ne présente pas de points de frottement aussi bien en fermeture qu'en ouverture.
- Le portail est bien équilibré, c'est-à-dire que, quelle que soit la position dans laquelle il s'arrête, il n'a pas tendance à redémarrer.
- La zone identifiée pour la fixation de l'opérateur permet une manœuvre facile et sûre.
- La zone de fixation est compatible avec l'encombrement de l'opérateur (**Fig. 2**).
- Les points de fixation des différents dispositifs sont dans des endroits à l'abri des chocs et que les surfaces sont suffisamment solides.
- Les surfaces de fixation des photocellules sont plates et permettent un alignement correct entre TX et RX.
- Il y a un espace suffisant pour la rotation du bras (**Fig. 3**).

2.2) Installation typique (Fig. 4)

1. Opérateur POP "PP7024"
2. Opérateur POP "PP7224"
3. Photocellule
4. Antenne
5. Clignotant
6. Sélecteur à clé
7. Colonne pour photocellules (option)
8. Ligne électrique d'alimentation.

2.3) Fixation (Fig. 5)

Les opérations pour la fixation des pattes sont les suivantes:



Tab. 1

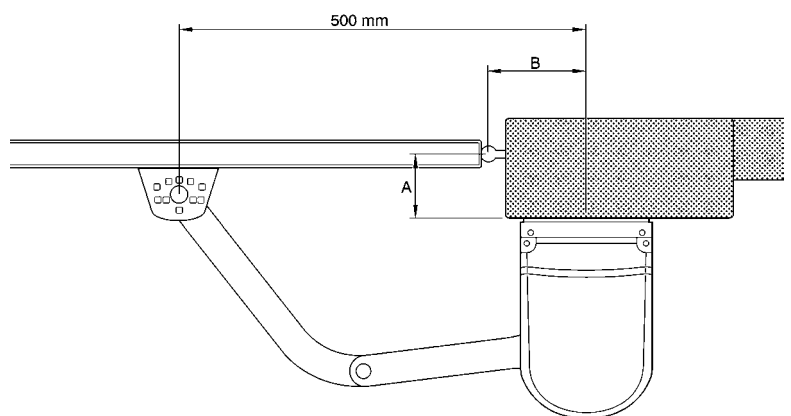


Fig. 5

1. Vérifier, suivant l'angle d'ouverture des battants, qu'il est possible de respecter les mesures indiquées dans le **Tab. 1**.
2. Mesurer sur place la valeur de "A".
3. 3. Suivant la mesure "A" et l'angle d'ouverture des battants dans le tableau, on peut trouver la valeur de "B" dans le **Tab. 1**. Par exemple, si "A" est égale à 100mm et qu'on désire une ouverture de 100° "B" devra mesurer environ 180mm.

2.4) Fixation de la patte de fixation du moteur au pilier (Fig. 6)

Elle s'effectue en utilisant vis adaptées au matériau du pilier. Fixer la patte en position horizontale.

2.5) Montage du bras droit (Fig. 7)

Le bras doit être monté avec la vis M8x25 et la rondelle grower. Faire attention à positionner le bras en le faisant sortir dans la partie avant.

2.6) Fixation de l'opérateur (Fig. 8)

L'opérateur POP doit être inséré dans la plaque en forme de C et fixé à celle-ci avec les vis M6x100 et les écrous fournis

2.7) Montage du bras courbe et fixation de la patte réglable au battant (Fig. 9)

Le bras doit être monté avec la vis M8x45 et les rondelles en plastique pour la fixation des deux bras et la vis M8x35 pour la fixation du bras courbe avec la patte réglable.
La patte est fixée au portail par une soudure ou à l'aide de vis adap-

tées au matériau du battant. La position de la patte doit respecter la mesure 500mm (Fig. 5-6) et doit être fixée en position horizontale et décalée de 100mm par rapport à la patte de fixation du moteur.

2.8) Débrayage de l'opérateur de l'intérieur (Fig. 10)

Il est effectué en deux phases:

A: soulever la petite porte

B: introduire la clé de débrayage (fournie) et la tourner dans le sens des aiguilles d'une montre jusqu'à son arrêt.

2.8.1) Débrayage de l'opérateur de l'extérieur (Fig. 11) (option)

Le montage du système de débrayage est effectué en six phases:

A: Détacher le couvercle en plastique (1)

B: Visser le petit pivot (3) sur l'arbre de débrayage (2)

C: Visser le tendeur de câble (4) dans le trou (5) prévu à cet effet.

D: Fixer le ressort (6) au pivot (3) et au point de fixation prévu dans

la coque.

E: Faire coulisser le câble de débrayage (7) à l'intérieur des trous du pivot (3) et du tendeur de câble (4).

F: Remettre le couvercle en plastique (1) dans sa position originale.

2.9) Fixation de la butée mécanique en ouverture (Fig. 12)

La butée est fixée au moyen de deux vis M6x25 dans la position la plus adaptée après avoir débrayé l'opérateur.

2.10) Connexions électriques

Pour les connexions électriques, voir la notice d'instructions de la logique de commande POA1.

2.11) Branchement au secteur (Fig. 13)

Sur PP7024: connecter le câble d'alimentation (230 V) directement sur la borne porte-fusible.

Sur PP7224: connecter le câble qui provient de la logique de commande du PP7024 sur la borne mammut.

2.12) Utilisation de la batterie tampon (Fig. 14) (options)

POP est muni d'un logement pour la batterie tampon (options). Rompre la partie prépercée du coffret de la logique de commande et connecter cette dernière aux batteries.

3) Manœuvre manuelle ou débrayage

L'opération manuelle (Fig. 10) doit être utilisée en cas de panne de courant ou d'anomalie de l'installation.

La manœuvre manuelle permet une course libre de l'opérateur seulement s'il est monté correctement et avec les accessoires originaux.

4) Essai et mise en service

Il s'agit des phases les plus importantes dans la réalisation de l'automatisation afin de garantir la sécurité maximum. L'essai peut être utilisé également comme vérification périodique des dispositifs qui composent l'automatisme. L'essai de toute l'installation doit être effectuée par du personnel qualifié et expérimenté qui devra se char-

ger d'établir les essais prévus en fonction des risques présents et de vérifier le respect de ce qui est prévu par les lois, les normes et réglementations et en particulier, toutes les conditions de la norme EN12445 qui détermine les méthodes d'essai pour la vérification des automatismes pour portails.

4,1) Essai

1. Vérifier que les consignes du chapitre "AVERTISSEMENTS" ont été rigoureusement respectées.
2. Effectuer les essais de fermeture et d'ouverture du portail et vérifier que le mouvement du battant correspond à la manœuvre prévue. Il est bon d'effectuer différents essais pour évaluer la fluidité du mouvement et les éventuels défauts de montage ou de réglage ainsi que la présence de points de friction particuliers.
3. Vérifier un par un le fonctionnement correct de tous les dispositifs de sécurité présents dans l'installation.
4. Effectuer la mesure de la force d'impact suivant les prescriptions de la norme EN 12445 et éventuellement si le contrôle de la "force moteur" est utilisé comme auxiliaire du système pour la réduction de la force d'impact, essayer et trouver le réglage qui donne les meilleurs résultats.

5) Maintenance

La maintenance doit être effectuée dans le plein respect des consignes de sécurité du présent manuel et suivant les prescriptions des lois et normes en vigueur. POP n'a pas besoin de maintenance particulière; vérifier toutefois périodiquement, au moins tous les six

mois, le parfait fonctionnement de tous les dispositifs. Pour cela, effectuer tous les essais et les contrôles prévus au paragraphe 4.1 "Essai". Si d'autres dispositifs sont présents, suivre ce qui est prévu dans le plan de maintenance respectif.

5.1) Mise au rebut

POP est constitué de différents types de matériaux dont certains peuvent être recyclés (aluminium, plastique, câbles électriques), d'autres devront être mis au rebut (cartes avec les composants électroniques).

⚠ ATTENTION: certains composants électroniques pourraient contenir des substances polluantes, ne pas les abandonner dans la nature. Informez-vous sur les systèmes de recyclage ou de mise au rebut en respectant les normes locales en vigueur.

1. Débrancher l'automatisme du secteur électrique.
2. Démonter tous les dispositifs et accessoires, suivant la procédure inverse à celle qui est décrite dans le chapitre 2 "Installation".
3. Enlever la carte électronique.
4. Trier et confier les composants électriques et recyclables à des sociétés spécialisées dans leur récupération et leur recyclage.
5. Déposer les structures restantes dans une déchetterie.

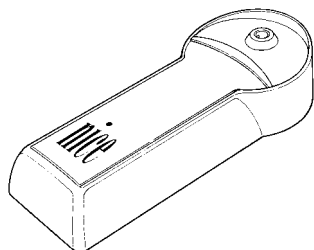
6) Caractéristiques techniques

		PP7024	PP7024/V1	PP7224*
Alimentation	Vca/Hz	230/50	120/50-60	/
	Vcc	/	/	24
Courant max.	A	~1	~2	3
Puissance moteur	W		75	
Couple	Nm		180	
Temps d'ouverture	s		10	
Température de fonctionnement	°C		-20°÷50°	
Indice de protection			IP 44	
Cycle de travail			30%	
Classe d'isolement			1	B

* Version sans logique de commande

7) Accessoires

KIO - Sélecteur à clé avec débrayage par câble





pop

Instructions et avertissements pour l'utilisateur de l'opérateur POP

Félicitations pour avoir choisi un produit Nice pour votre automatisation !

Nice S.p.a. produit des composants pour l'automatisme de portails, portes, rideaux métalliques, volets roulants et stores: opérateurs, logiques de commande, radiocommandes, clignotants, photocellules et accessoires. Nice n'utilise que des matériaux et des usinages de qualité et par vocation, elle recherche des solutions innovantes qui simplifient au maximum l'utilisation de ses appareils, très soignés sur le plan de la technique, de l'esthétique et de l'ergonomie: dans la vaste gamme Nice, votre installateur aura choisi sans aucun doute le produit le plus adapté à vos exigences.

Nice n'est toutefois pas le producteur de votre automatisme qui est en effet le résultat d'un travail d'analyse, évaluation, choix des matériaux et réalisation de l'installation, exécuté par votre installateur de confiance. Chaque automatisme est unique et seul votre installateur possède l'expérience et la compétence professionnelle nécessaires pour réaliser une installation répondant à vos exigences, sûre et fiable dans le temps et surtout, exécutée dans les règles de l'art et conforme par conséquent aux normes en vigueur.

Une installation d'automatisation est une belle commodité ainsi qu'un système de sécurité valable; avec quelques attentions très simples, elle est destinée à durer dans le temps. Même si l'automatisme en votre possession satisfait le niveau de sécurité requis par les normes, cela n'exclut pas la persistance d'un "risque résiduel", c'est-à-dire la possibilité de situations de danger dues généralement à une utilisation inconsciente, voire erronée. C'est la raison pour laquelle nous désirons vous donner quelques conseils sur les comportements à adopter pour éviter tout inconvénient:

- **Avant d'utiliser pour la première fois l'automatisme**, faites-vous expliquer par l'installateur l'origine des risques résiduels et consacrez quelques minutes à la lecture du **manuel d'instructions et d'avertissements pour l'utilisateur** qui vous est remis par l'installateur. Conservez le manuel pour pouvoir le consulter pour n'importe quel doute futur et remettez-le à tout nouveau propriétaire de l'automatisme.
- **Votre automatisme est un équipement qui exécute fidèlement vos commandes**; une utilisation inconsciente et incorrecte peut le rendre dangereux: ne commandez pas le mouvement de l'automatisme si des personnes, des animaux ou des objets se trouvent dans son rayon d'action.
- **Enfants**: une installation d'automatisation garantit un degré de sécu-

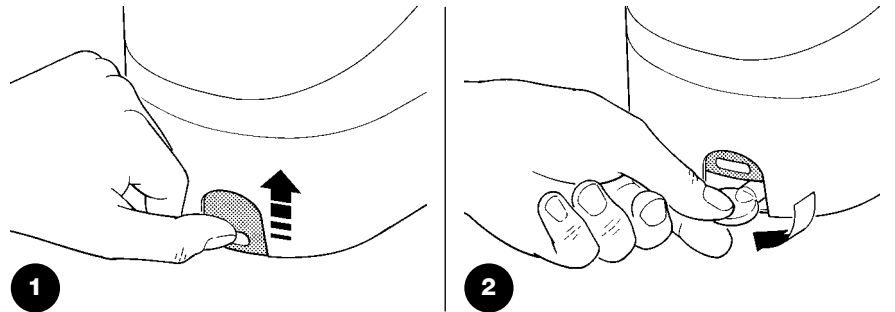
rité élevé en empêchant avec ses systèmes de détection le mouvement en présence de personnes ou d'objets et en garantissant une activation toujours prévisible et sûre. Il est prudent toutefois d'éviter de laisser jouer les enfants à proximité de l'automatisme et pour éviter les activations involontaires, de ne pas laisser à leur portée les émetteurs qui commandent la manœuvre: **ce n'est pas un jeu!**

- **Anomalies:** si vous notez une anomalie quelconque dans le fonctionnement de l'automatisme, coupez l'alimentation électrique de l'installation et procédez au débrayage manuel. Ne tentez jamais de le réparer vous-même mais demandez l'intervention de votre installateur de confiance: dans l'intervalle, l'installation peut fonctionner comme un système non automatisé, après avoir débrayé l'opérateur suivant les indications données plus loin.
- **Maintenance:** comme toutes les machines, votre automatisme a besoin d'une maintenance périodique pour pouvoir fonctionner le plus longtemps possible et en toute sécurité. Établissez avec votre installateur un plan de maintenance périodique programmée; Nice conseille une intervention tous les 6 mois pour une utilisation domestique normale mais cette période peut varier en fonction de l'intensité d'utilisation. Toute intervention de contrôle, maintenance ou réparation doit être exécutée exclusivement par du personnel qualifié.

- Même si vous estimez en être capable, ne modifiez pas l'installation et les paramètres de programmation et de réglage de l'automatisme: la responsabilité en incombe à votre installateur.
- L'essai de fonctionnement final, les maintenances périodiques et les éventuelles réparations doivent être documentés par la personne qui s'en charge et les documents doivent être conservés par le propriétaire de l'installation.
- **Mise au rebut.** À la fin de la vie de l'automatisme, assurez-vous que le démantèlement est effectué par du personnel qualifié et que les matériaux sont recyclés ou mis au rebut en respectant les normes locales en vigueur.
- **En cas de ruptures ou absence d'alimentation électrique.** En attendant l'intervention de votre installateur (ou le retour du courant si l'installation est dépourvue de batterie tampon), l'installation peut être actionnée comme n'importe quel autre système non automatisé. Pour cela, il faut effectuer le débrayage manuel: cette opération, qui est la seule pouvant être effectuée par l'utilisateur de l'automatisme, a fait l'objet d'une étude particulière de la part de Nice pour vous assurer toujours une utilisation extrêmement simple et aisée, sans aucun outil ou effort physique.

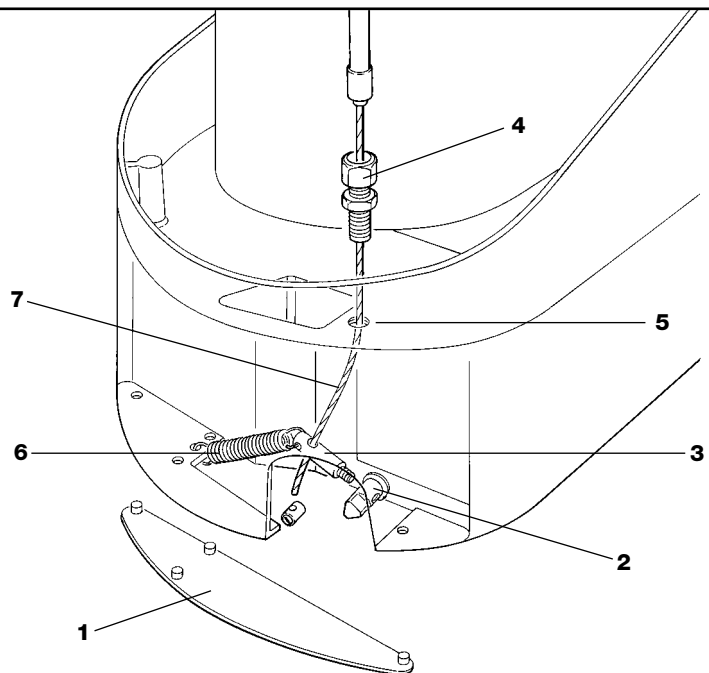
Débrayage de l'opérateur de l'intérieur

1. soulever la petite porte
2. introduire la clé de débrayage (fournie) et la tourner dans le sens des aiguilles d'une montre jusqu'à son arrêt.



Débrayage de l'opérateur de l'extérieur (option)

- Détacher le couvercle en plastique (1)
- Visser le petit pivot (3) sur l'arbre de débrayage (2)
- Visser le tendeur de câble (4) dans le trou (5) prévu à cet effet.
- Fixer le ressort (6) au pivot (3) et au point de fixation prévu dans la coque.
- Faire coulisser le câble de débrayage (7) à l'intérieur des trous du pivot (3) et du tendeur de câble (4).
- Remettre le couvercle en plastique (1) dans sa position originale.



Important: si votre installation est munie d'une radiocommande qui au bout d'une certaine période présente des problèmes de fonctionnement ou ne fonctionne plus du tout, cela pourrait dépendre tout simplement du fait que la pile est usagée (suivant le type de pile, il peut s'écouler plusieurs mois jusqu'à deux ou trois ans). Vous pouvez vérifier cet état de chose si le voyant de confirmation de la transmission est faible, s'il ne s'allume plus du tout ou s'il ne s'allume qu'un bref instant. Avant de vous adresser à l'installateur, essayez de remplacer la pile en utilisant celle d'un autre émetteur qui fonctionne encore: si cette intervention remédie au problème, il vous suffit de remplacer la pile usagée par une neuve du même type.

Êtes-vous satisfait? Si vous désirez équiper votre maison d'un nouvel automatisme, adressez-vous au même installateur et à Nice. Vous serez sûr de bénéficier ainsi, en plus du conseil d'un spécialiste et des produits les plus évolués du marché, également du meilleur fonctionnement et de la compatibilité parfaite des différents automatismes installés.

Nous vous remercions d'avoir lu ces recommandations et nous espérons que votre nouvelle installation vous donnera entière satisfaction: pour tout besoin présent ou futur, adressez-vous en toute confiance à votre installateur.

pop

Inhaltsverzeichnis

	S.		S.		
1	Beschreibung des produkts	20	3	Handbedienung bzw. Entriegelung	21
2	Installation	20	4	Endprüfung und inbetriebsetzung	22
2.1	Vorprüfungen	20	4.1	Endprüfung	22
2.2	Typische anlage	20	5	Wartung	22
2.3	Befestigung	20	5.1	Entsorgung	22
2.4	Befestigung des motortragbügels am pfosten	21	6	Technische merkmale	22
2.5	Befestigung des geraden arms	21	7	Zubehör	22
2.6	Befestigung des toröffners	21		Anweisungen und hinweise für den benutzer des Toröffners pop	23
2.7	Befestigung des gebogenen arms und des am torflügel verstellbaren bügels	21			
2.8	Entriegelung des toröffners von innen	21			
2.8.1	Entriegelung des toröffners von außen (optional)	21			
2.9	Befestigung des mechanischen endanschlags in öffnung	21			
2.10	Elektrische anschlüsse	21			
2.11	Anschluss an die stromversorgung	21			
2.12	Benutzung der pufferbatterien (optional)	21			

Hinweise

Alle Anweisungen vor der Installation genau lesen, da sie wichtige Hinweise liefern, was Sicherheit, Installation, Bedienung und Wartung betrifft. Um die vorliegenden Anweisungen verständlicher zu machen, hat man versucht, die Reihenfolge einzuhalten, mit der die verschiedenen Installationsphasen auszuführen sind. Alles nicht ausdrücklich in diesen Anweisungen vorgesehene ist unzulässig. Ein unsachgemäßer Gebrauch könnte Schäden am Produkt und Gefahren für Personen und Gegenstände verursachen. Nice übernimmt keinerlei Haftung für die fachgerechte Herstellung der Tore sowie für Verformungen während des Gebrauchs. Die vorliegende Anleitung auch für zukünftiges Nachschlagen aufbewahren. Planung, Herstellung der Vorrichtungen, aus denen POP besteht, sowie die vorliegende Anleitung sind unter genauerster Beachtung der gültigen Vorschriften ausgeführt.

Unter Berücksichtigung der Risiken, die bei Installation und Gebrauch von POP auftreten können, muss auch die Installation unter genauester Beachtung von Gesetzen, Vorschriften und Verordnungen erfolgen, insbesondere:

- Vor Beginn der Installation prüfen, ob weitere Vorrichtungen und Materialien erforderlich sind, um die Automatisierung mit POP je nach spezieller Anwendung zu vervollständigen.
- Der Automatismus darf erst verwendet werden, nachdem die Inbetriebsetzung ausgeführt wurde, wie in Punkt „Inbetriebsetzung“ angegeben.
- Das Verpackungsmaterial muss unter voller Einhaltung der örtlichen Vorschriften entsorgt werden.
- Keine Änderungen an keinem Teil ausführen, falls nicht in der vorliegenden Anleitung vorgesehen. Vorgänge dieser Art können nur Betriebsstörungen verursachen. NICE lehnt jegliche Haftung für Schäden aufgrund geänderter Produkte ab.

- Vermeiden, dass Teile des Automatismus in Wasser oder andere Flüssigkeiten getaucht werden können. Auch während der Installation vermeiden, dass Flüssigkeiten in die Steuerung und sonstige geöffnete Vorrichtungen eindringen können.
- Sollten Flüssigkeiten in die Vorrichtungen des Automatismus eingedrungen sein, unverzüglich die Stromversorgung abtrennen und den NICE Kundendienst zu Rate ziehen; die Verwendung von POP in solchem Zustand kann Gefahren verursachen.
- Bestandteile von POP nicht in der Nähe von Wärmequellen halten und diese keinen Flammen aussetzen; solche Handlungen können Schäden und Betriebsstörungen an POP, aber auch Brand und Gefahren verursachen.
- Falls die Automatisierung längere Zeit nicht gebraucht wird, sollte die Batterie (Optional) herausgenommen und trocken aufbewahrt werden, damit keine Schadstoffe aus der Batterie auslaufen können.
- Die Steuerung nur an eine Linie der Stromversorgung mit Sicherheitserdung anschließen.
- Alle Arbeiten, für die ein Öffnen des Schutzgehäuses von POP erforderlich ist, müssen mit von der Stromversorgung abgetrennter Steuerung erfolgen; falls die Trennvorrichtung nicht zu sehen ist, ein Schild „ACHTUNG – WARTUNG IM GANG“ anbringen.
- Wenn Automatikschalter oder Sicherungen ausgelöst werden, muss vor ihrer Rückstellung der Defekt festgestellt und beseitigt werden.
- Wenden Sie sich an den NICE Kundendienst, falls das Problem mit den im vorliegenden Handbuch gegebenen Infos nicht beseitigt werden kann.

1) Beschreibung des Produkts

POP ist ein Toröffner für mittlere und kleine Drehtore. Mit ihm können Tore mit max. 1,8m Flügellänge und einem Gewicht bis 200kg automatisiert werden.

Den Motor gibt es in zwei Ausführungen:

- PP7024 mit eingebauter Steuerung und 230V Versorgung 230V (Ausführung PP7024/V1 mit 120V Versorgung)
- PP7224 ohne Steuerung; der Toröffner wird an die Steuerung von PP7024 angeschlossen.

2) Installation

Die Installation muss von erfahrenem Fachpersonal unter genauester Beachtung der in Kap. 1 angegebenen "HINWEISE" ausgeführt werden.

2.1) Vorprüfungen

Es wird daran erinnert, dass POP nur ein bereits effizientes und sicheres Tor motorisieren darf; POP kann Probleme aufgrund falscher Installation oder schlechter Wartung nicht lösen.

Vor der Installation ist zu prüfen, ob sich die Torstruktur eignet bzw. mit den gültigen Vorschriften konform ist. Insbesondere prüfen, ob:

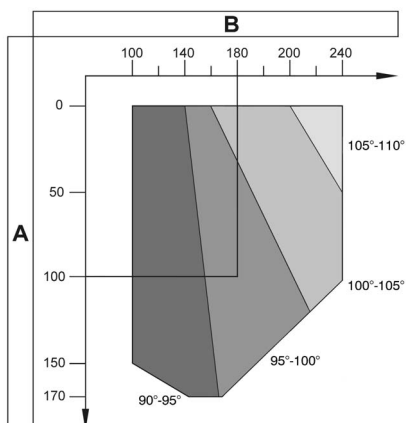
- Die Verpackung unbeschädigt ist und alle auf **Abb. 1** gezeigten Teile enthält:
 - Nr.1 St. PP7024
 - Nr.1 St. PP7224
 - Nr.2 St. gerader Arm
 - Nr.2 St. gebogener Arm
 - Nr.2 St. Motortragbügel
 - Nr.1 St. Schachtel mit Zubehör
 - Nr.1 St. Schachtel mit "Openkit" Elektronik
- das Tor in Schließung sowie in Öffnung keine Reibungen aufweist.
- das Tor gut ausgeglichen ist. Das heißt, dass es sich nicht bewegen darf, wenn es in beliebiger Stellung stillsteht
- der Befestigungsbereich des Toröffners eine einfache sichere Entriegelung von Hand ermöglicht.
- sich der Befestigungsbereich des Toröffners zu seinem Platzbedarf eignet (**Abb. 2**).
- sich die Befestigungsstellen der verschiedenen Vorrichtungen in stoßgeschützten Bereichen befinden und ob die Oberflächen ausreichend solide sind.
- die Befestigungsflächen der Photozellen eben sind und eine korrekte Fluchtung zwischen TX und RX ermöglichen.
- genügend Raum für die Armdrehung vorhanden ist (**Abb. 3**)

2.2) Typische anlage (abb. 4)

1. Toröffner POP "PP7024"
2. Toröffner POP "PP7224"
3. Photozelle
4. Antenne
5. Blinkleuchte
6. Schlüsseltaster
7. Standsäule für Photozellen (Optional)
8. Elektrische Versorgungslinie.

2.3) Befestigung (Abb. 5)

Die Vorgänge zur Befestigung der Bügel sind:



Tab. 1

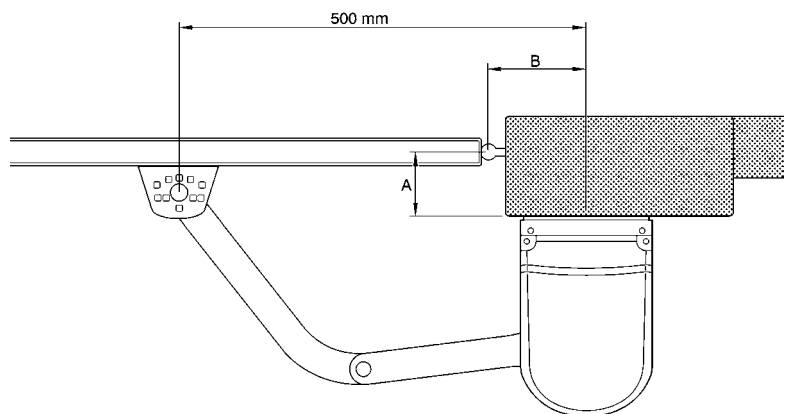


Abb. 5

1. Prüfen, ob aufgrund des Öffnungswinkels der Torflügel die Maße in **Tab. 1** eingehalten werden können.
2. Wert "A" an Ort und Stelle messen.
3. Mit Maß "A" und dem Öffnungswinkel in der Tabelle kann man **Tab. 1** den Wert "B" entnehmen, zum Beispiel: wenn "A" 100mm ist und man einen Öffnungswinkel von 100° will, so muss "B" ca. 180mm sein.

2.4) Befestigung des motortragbügels am pfosten (Abb. 6)

Die Befestigung erfolgt mit für das Pfostenmaterial geeigneten Schrauben. Den Bügel horizontal befestigen.

2.5) Befestigung des geraden arms (Abb. 7)

Die Befestigung erfolgt mit der Schraube M8x25 mit jeweiliger Growerscheibe. Beim Anbringen des Arms aufpassen, da er an der Vorderseite austreten muss.

2.6) Befestigung des toröffners (Abb. 8)

Die Befestigung erfolgt, indem POP in die C-förmige Platte eingefügt und an dieser mit den Schrauben M6x100 und den jeweiligen mitgelieferten Muttern befestigt wird.

2.7) Befestigung des gebogenen arms und des am torflügel verstellbaren bügels (Abb. 9)

Die Befestigung der beiden Arme untereinander erfolgt mit der Schraube M8x45 und den jeweiligen Plastikunterlegscheiben, die Befestigung des gebogenen Arms mit dem verstellbaren Bügel erfolgt mit der Schraube M8x35. Der Bügel wird am Tor angeschweißt oder

mit für das Material des Torflügels geeigneten Schrauben angeschraubt. Die Bügelposition muss wie in **Abb. 5-6** 500 mm sein, und der Bügel muss horizontal und um 100mm verschoben im Vergleich zum Motortragbügel befestigt werden.

2.8) Entriegelung des toröffners von innen (Abb. 10)

Wird in zwei Schritten ausgeführt:

A: den Deckel anheben

B: den Entriegelungsschlüssel (mitgeliefert) einstecken und bis zum Anschlag im Uhrzeigersinn drehen.

2.8.1) Entriegelung des toröffners von außen (Abb. 11) (optional)

Die Montage des Entriegelungssystems erfolgt in sechs Schritten:

A: Den Plastikdeckel (1) abnehmen

B: Den Stift (3) an der Entriegelungswelle (2) anschrauben

C: Den Seilspanner (4) in seiner Bohrung (5) anschrauben

D: Die Feder (6) am Stift (3) und am dazu vorgesehenen Befestigungspunkt am Gehäuse befestigen

E: Das Entriegelungsseil (7) in die Bohrungen am Stift (3) und am Seilspanner (4) gleiten lassen

F: Den Plastikdeckel (1) wieder wie ursprünglich anbringen

2.9) Befestigung des mechanischen endanschlags in öffnung (Abb. 12)

Die Befestigung erfolgt nach Entriegelung des Toröffners mit zwei Schrauben M6x25 in der geeignetsten Stellung.

2.10) Elektrische anschlüsse

Für die elektrischen Anschlüsse wird auf die Anweisungen der Steuerung POA1 verwiesen.

2.11) Anschluss an die stromversorgung (Abb. 13)

Für PP7024: das Stromkabel (230V) direkt an der Sicherungsklemme anschließen.

Für PP7224: Das Kabel von der Steuerung des PP7024 an der Mammut-Klemme anschließen.

2.12) Benutzung der pufferbatterien (Abb. 14) (optionals)

POP ist mit einem Abteil für Pufferbatterie (Optionals) ausgestattet. Die Lasche am Gehäuse der Steuerung entfernen und diese mit den Batterien verdrahten.

3) Handbedienung bzw. Entriegelung

Die Handbedienung (**Abb. 10**) muss bei Stromausfall oder Störungen der Anlage ausgeführt werden.

Durch die Betätigung von Hand kann sich der Toröffner nur, falls korrekt und mit Originalzubehör montiert, frei bewegen.

4) Endprüfung und Inbetriebsetzung

Um höchste Sicherheit zu gewährleisten, sind diese Phasen die wichtigsten bei der Durchführung der Automatisierung. Die Endprüfung kann auch als periodische Überprüfung der Vorrichtungen dienen, aus denen der Automatismus besteht. Endprüfung und Inbetriebsetzung der ganzen Anlage müssen von erfahrenem Fachpersonal ausgeführt werden, das zu bestimmen hat, welche Tests je nach vorhandenen Risiken auszuführen sind, und das die Übereinstimmung mit Gesetzen, Vorschriften und insbesondere allen Anforderungen der Norm EN 12445 zu überprüfen hat, in der die Testmethoden zur Überprüfung der Automatismen für Tore angegeben sind.

sonal ausgeführt werden, das zu bestimmen hat, welche Tests je nach vorhandenen Risiken auszuführen sind, und das die Übereinstimmung mit Gesetzen, Vorschriften und insbesondere allen Anforderungen der Norm EN 12445 zu überprüfen hat, in der die Testmethoden zur Überprüfung der Automatismen für Tore angegeben sind.

4,1) Endprüfung

1. Prüfen, ob alles in Kapitel 1 "HINWEISE" angegebene genauestens eingehalten ist.
2. Die Schließung und Öffnung des Tors testen und prüfen, ob die Torbewegung wie vorgesehen ist. Am besten führt man mehrere Tests aus, um zu bewerten, ob das Tor richtig gleitet, und um eventuelle Montage- und Einstellfehler sowie das Vorhandensein besonderer Reibungspunkte festzustellen.
3. Den korrekten Betrieb aller Sicherheitsvorrichtungen der Anlage einzeln überprüfen.
4. Die Aufprallkraft gemäß Norm EN 12445 messen; falls die Kontrolle der "Motorkraft" als Hilfsmittel für das System zur Aufprallkraftreduzierung benutzt wird, die Einstellung erproben und finden, mit der die besten Ergebnisse gegeben werden.

5) Wartung

Die Wartung muss unter genauester Einhaltung der im vorliegenden Handbuch verzeichneten Sicherheitsbestimmungen und der Verordnungen der gültigen Gesetze und Vorschriften ausgeführt werden. POP bedarf keiner besonderen Wartung; dennoch regelmäßig (min-

destens alle sechs Monate) die Effizienz aller Vorrichtungen überprüfen. Hierzu alle in 4.1 "Endprüfung" vorgesehenen Tests und Überprüfungen ganz ausführen. Sollten weitere Vorrichtungen vorhanden sein, das in ihrem Wartungsplan vorgesehene ausführen.

5.1) Entsorgung

POP besteht aus verschiedenen Stoffen, von denen einige recycled werden können (Aluminium, Plastik, Elektrokabel), andere müssen dagegen entsorgt werden (Steuerkarten und elektronische Teile).

⚠ ACHTUNG: einige elektronische Teile könnten umweltschädliche Stoffe enthalten; nicht in die Umwelt geben. Informieren Sie sich, wie POP recycled oder entsorgt werden kann und halten Sie sich an die örtlich gültigen Vorschriften.

1. Den Automatismus vom Stromnetz abtrennen.
2. Alle Vorrichtungen und Zubehörteile demontieren. Dazu das Verfahren in Kapitel 2 "Installation" umgekehrt ausführen
3. Die elektronische Steuerkarte entfernen.
4. Das verschiedene Elektromaterial sortieren und autorisierten Recycling- oder Entsorgungsfirmen übergeben.
5. Den Rest an den vorgesehenen Sammelstellen verschrotten.

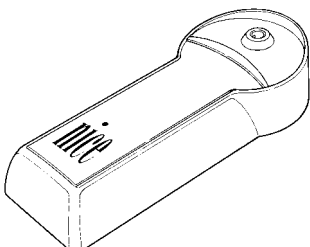
6) Technische merkmale

		PP7024	PP7024/V1	PP7224*
Versorgung	Vac/Hz	230/50	120/50-60	/
	Vdc	/	/	24
Höchststrom	A	~1	~2	3
Motorleistung	W		75	
Drehmoment	Nm		180	
Öffnungszeit	s		10	
Betriebstemperatur	°C		-20°÷50°	
Schutzart			IP 44	
Arbeitszyklen			30%	
Isolationsklasse		1		B

* Ausführung ohne Steuerung

7) Zubehör

KIO - Schlüsseltaster mit Schnurriegelung





pop

Anweisungen und Hinweise für den benutzer des Toröffners POP

Wir gratulieren Ihnen zu Ihrer Wahl eines Nice Produktes für Ihre Automatisierung!

Nice S.p.A. stellt Bestandteile für die Automatisierung von Türen und Toren, Rollläden, Jalousien und Markisen her, wie Getriebemotoren, Steuerungen, Funksteuerungen, Blinkleuchten, Photozellen und Zubehör. Nice verwendet ausschließlich Werkstoffe und Verarbeitungen höchstehender Qualität und ist aufgrund der Nice Betriebsphilosophie immer auf der Suche nach innovativen Lösungen, um die Verwendung der Nice Apparaturen, vom technischen, ästhetischen und ergonomischen Standpunkt her besonders gepflegt, zu erleichtern: Ihr Installateur wird bestimmt das richtige Produkt in der großen Nice Palette für Sie ausgewählt haben.

Nice ist jedoch nicht der Hersteller Ihrer Automatisierung, die das Ergebnis von Analysen, Bewertungen, Auswahl der Materialien und der Durchführung der Anlage durch Ihren Vertrauensinstallateur ist. Jede Automatisierung ist einzigartig, und nur Ihr Installateur besitzt die Erfahrung und Professionalität, die notwendig sind, um eine Anlage nach Ihrem Bedarf auszuführen, die sicher und dauerhaft zuverlässig und vor allem fachgerecht ist bzw. den gültigen Vorschriften entspricht.

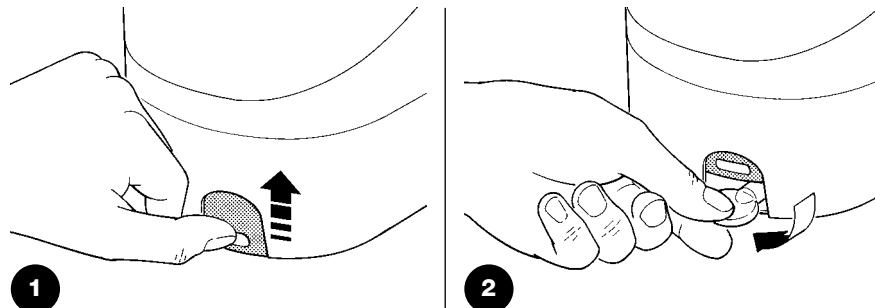
Eine Automatisierungsanlage ist etwas sehr bequemes, aber auch ein wertvolles Sicherheitssystem und dauert mit nur wenigen Eingriffen bestimmt jahrelang. Auch wenn Ihre Automatisierung den von den Vorschriften geforderten Sicherheitsniveaus entspricht, schließt dies das Vorhandensein von "Restrisiken" nicht aus, womit die Möglichkeit gemeint ist, dass gewöhnlich aufgrund eines verantwortungslosen oder falschen Gebrauchs Gefahren erzeugt werden können; wir möchten Ihnen deshalb ein paar Ratschläge geben, wie Sie sich verhalten sollten, um allen Unannehmlichkeiten aus dem Weg zu gehen:

- **Bevor Sie die Automatisierung zum ersten Mal verwenden**, lassen Sie sich von Ihrem Installateur erklären, wie Restrisiken entstehen können, und widmen Sie dem Lesen der **Anweisungen und Hinweise für den Benutzer**, die Ihnen Ihr Installateur aushändigen wird, ein paar Minuten. Bewahren Sie die Anleitung für zukünftige Zweifelsfälle auf und übergeben Sie diese ggf. einem neuen Besitzer der Automatisierung.
- **Ihre Automatisierung ist eine Maschine, die Ihre Befehle getreu durchführt**; ein verantwortungsloser und unsachgemäßer Gebrauch kann gefährlich werden: verursachen Sie keine Bewegung der Automatisierung, wenn sich Personen, Tiere oder Gegenstände in ihrem Aktionskreis befinden.

- **Kinder:** eine Automatisierungsanlage gewährleistet einen hohen Sicherheitsgrad und verhindert mit ihren Schutzsystemen, dass sie sich bei Anwesenheit von Personen und Gegenständen bewegt, und gewährleistet eine immer vorhersehbare und sichere Aktivierung. Als Vorsichtsmaßnahme sollte man aber Kindern verbieten, in der Nähe der Automatisierung zu spielen, und man sollte die Fernbedienungen nicht in der Reichweite von Kindern lassen: **es handelt sich nicht um ein Spiel!**
- **Störungen.** Schalten Sie die Stromversorgung zur Anlage ab, sobald Sie ein ungewöhnliches Verhalten der Automatisierung bemerken, und führen Sie die manuelle Entriegelung aus. Versuchen Sie nie, selbst Reparaturen auszuführen, sondern fordern Sie den Eingriff Ihres Vertrauensinstallateurs an: in der Zwischenzeit, nachdem Sie den Getriebemotor wie weiter vorne beschrieben entriegelt haben, kann die Anlage wie eine nicht automatisierte Vorrichtung funktionieren.
- **Wartung.** Wie jede Maschine benötigt auch Ihre Automatisierung eine regelmäßige Wartung, damit sie so lange wie möglich und in voller Sicherheit funktionieren kann. Vereinbaren Sie mit Ihrem Installateur einen programmierten Wartungsplan. Nice empfiehlt eine programmierte Wartung alle sechs Monate bei Normalgebrauch für den Haushalt, dieser Zeitraum kann aber je nachdem, wie häufig die Anlage benutzt wird, unterschiedlich sein. Arbeiten wie Wartung, Kontrollen und Reparaturen dürfen nur von Fachpersonal ausgeführt werden.
- Auch wenn Sie meinen, dass Sie wissen, wie das gemacht wird, ändern Sie die Anlage und die programmierten Parameter sowie die Einstellungen der Automatisierung nicht: diese Verantwortung steht Ihrem Installateur zu.
- Die Endprüfung, die periodischen Wartungen und eventuelle Reparaturen müssen von dem, der diese Arbeiten ausführt, belegt sein, und diese Belege müssen vom Besitzer der Anlage aufbewahrt werden.
- **Entsorgung.** Versichern Sie sich, dass die Entsorgung am Ende der Lebensdauer Ihrer Automatisierung von Fachpersonal gemacht wird und dass die Materialien nach den örtlich gültigen Vorschriften recycled oder entsorgt werden.
- **Im Falle von Defekten oder bei Stromausfall.** Warten Sie auf Ihren Installateur (oder bis der Strom wieder vorhanden ist, falls Ihre Anlage keine Pufferbatterie hat); die Anlage kann wie eine beliebige nicht automatisierte Öffnungsvorrichtung betätigt werden. Dazu muss die manuelle Entriegelung ausgeführt werden. Dieser Vorgang, der einzige, den der Benutzer der Automatisierung ausführen kann, wurde mit besonderer Aufmerksamkeit von Nice behandelt, damit Sie diese Vorrichtung immer mit größter Einfachheit, ohne Werkzeug und ohne körperliche Anstrengungen betätigen können.

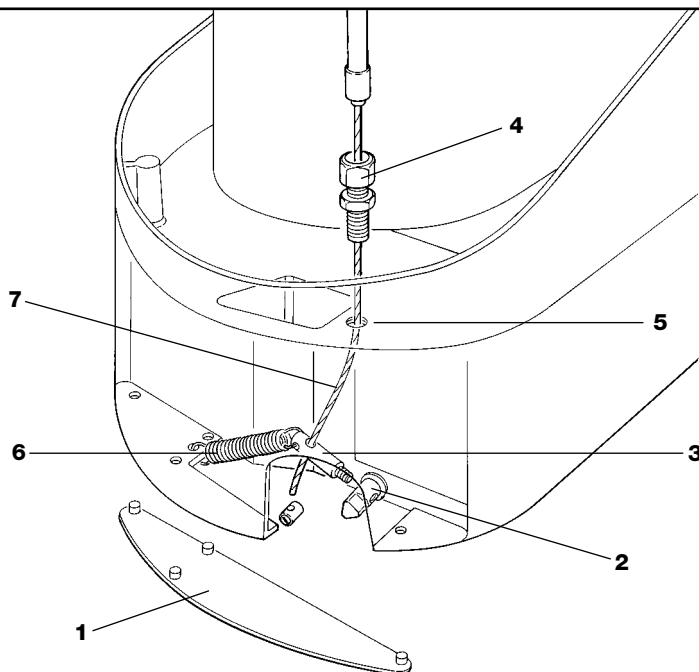
Entriegelung des toröffners von innen

1. Den Deckel anheben
2. Den Entriegelungsschlüssel (mitgeliefert) einstecken und bis zum Anschlag im Uhrzeigersinn drehen.



Entriegelung des toröffners von außen (optional)

- Den Plastikdeckel (1) abnehmen
- Den Stift (3) an der Entriegelungswelle (2) anschrauben
- Den Seilspanner (4) in seiner Bohrung (5) anschrauben
- Die Feder (6) am Stift (3) und am dazu vorgesehenen Befestigungspunkt am Gehäuse befestigen
- Das Entriegelungsseil (7) in die Bohrungen am Stift (3) und am Seilspanner (4) gleiten lassen
- Den Plastikdeckel (1) wieder wie ursprünglich anbringen



Wichtig: falls Ihre Anlage mit Funksteuerung ausgestattet ist, die nach einiger Zeit anscheinend schlechter oder gar nicht funktioniert, so könnte das ganz einfach von der leeren Batterie abhängen (je nach Batterie kann das nach mehreren Monaten bis zu zwei-drei Jahre geschehen). Sie können das an dem Leuchtmelder bemerken, der die Sendung bestätigt, der nur schwach oder gar nicht oder nur ganz kurz leuchtet. Bevor Sie sich an den Installateur wechseln, versuchen Sie, die Batterie mit der eines anderen, funktionierenden Senders auszuwechseln: sollte das die Ursache sein, genügt es, die alte Batterie mit einer anderen gleichen Typs auszuwechseln.

Sind Sie zufrieden? Wenn Sie eine neue Automatisierung für Ihr Haus wollen und sich an denselben Installateur und an Nice wenden, werden Sie sich die Beratung eines Fachmanns und die fortgeschrittensten Produkte auf dem Markt, aber auch den besten Betrieb und die größte Verträglichkeit zwischen den Automatisierungen zusichern.

Wir danken Ihnen, dass Sie diese Ratschläge gelesen haben, und wünschen Ihnen größte Zufriedenheit mit Ihrer neuen Anlage: wenden Sie sich für gegenwärtige oder zukünftige Bedarfsfälle vertrauensvoll an Ihren Installateur.

pop

Índice:	pág.		pág.		
1	Descripción del producto	26	3	Maniobra manual o desbloqueo	27
2	Instalación	26	4	Ensayo y puesta en servicio	28
2.1	Controles y operaciones preliminares	26	4.1	Ensayo	28
2.2	Instalación típica	26	5	Mantenimiento	28
2.3	Fijación	26	5.1	Desguace	28
2.4	Fijación del soporte de sujeción del motor a la columna	27	6	Características técnicas	28
2.5	Montaje del brazo recto	27	7	Accesorios	28
2.6	Fijación del motorreductor	27		Instrucciones y advertencias destinadas al usuario del motorreductor POP	29
2.7	Montaje del brazo curvo y fijación del soporte regulable en la hoja	27			
2.8	Desbloqueo del motorreductor desde adentro	27			
2.8.1	Desbloqueo del motorreductor desde afuera (opcional)	27			
2.9	Fijación del fin de carrera mecánico en apertura	27			
2.10	Conexiones eléctricas	27			
2.11	Conexión a la alimentación	27			
2.12	Empleo de baterías compensadoras (opcionales)	27			

Advertencias

Es necesario leer todas las instrucciones antes de comenzar con la instalación, porque estas ofrecen indicaciones importantes acerca de la seguridad, instalación, uso y mantenimiento.

Para simplificar el uso de estas instrucciones, se ha tratado de respetar el orden en el que debe llevarse a cabo la instalación. Está prohibido todo aquello que no esté expresamente previsto en estas instrucciones, los empleos inadecuados pueden ser causa de averías y crear situaciones peligrosas para las personas y cosas.

Nice no se considera responsable si no se respetan las normas de la buena técnica en la construcción de las puertas, ni de las deformaciones que podrían producirse durante el uso.

Conserve este manual para consultaciones posteriores.

El diseño, fabricación de los dispositivos que componen POP y este manual respetan plenamente la normativa vigente.

Considerando las situaciones de riesgo que pueden verificarse durante la instalación y el uso de POP, también es necesario que la instalación sea efectuada respetando las leyes, normas y reglamentos, a saber.

- Antes de comenzar la instalación, controle si se necesitan otros dispositivos y materiales que puedan servir para completar la automatización con POP según la situación de empleo específica.
- El automatismo no debe utilizarse antes de haberlo puesto en servicio, tal como especificado en el párrafo: Puesta en Servicio.
- El material del embalaje debe eliminarse respetando las normas locales.
- No modifique ninguna pieza si no ha sido previsto en este manual. Las operaciones de este tipo pueden causar solamente desperfectos. NICE no se considera responsable de daños derivados de los productos modificados.

- Evite que los componentes del automatismo queden sumergidos en agua u otras sustancias líquidas. También durante la instalación impida que los líquidos pueden penetrar en el interior de la central y de otros dispositivos abiertos.
- Si entraran sustancias líquidas adentro de los dispositivos del automatismo, desconecte de inmediato la alimentación eléctrica y diríjase al servicio de asistencia NICE; el uso de POP en tales condiciones puede originar situaciones peligrosas.
- No coloque ningún componente de POP cerca de fuentes de calor ni lo exponga a llamas; dichas acciones pueden arruinarlos y provocar desperfectos, incendio o situaciones de peligro.
- En el caso de períodos de inactividad prolongados, a fin de evitar el riesgo de fugas de sustancias peligrosas de la batería opcional, es preferible extraerla y guardarla en un lugar seco.
- Conecte la central solamente a una línea de alimentación eléctrica con puesta a tierra de seguridad.
- Todas las operaciones que requieran la apertura de las carcasas de POP deben efectuarse con la central de mando desconectada de la alimentación eléctrica; si el dispositivo de desconexión no estuviera a la vista, coloque un cartel que diga "ATENCIÓN MANTENIMIENTO EN CURSO".
- Si se desconectaran los interruptores automáticos o los fusibles, antes de rearmarlos es necesario localizar y reparar la avería.
- De producirse una avería que no pudiera resolverse consultando las informaciones indicadas en este manual, contacte al servicio de asistencia NICE.

1) Descripción del producto

POP es un motorreductor para puertas de batiente de tamaño pequeño y mediano. Permite automatizar puertas con hojas de 1,8m de longitud máx. y con un peso de hasta 200kg. El motor está disponible en dos versiones:

- PP 7024 con central de mando incorporada y alimentación a 230V. (En la versión PP7024/V1 alimentación a 120V)
- PP7224 sin central de mando, el motorreductor PP07224 se conecta a la central de mando de PP7024.

2) Instalación

La instalación debe ser efectuada por personal cualificada y experto, respetando las instrucciones del capítulo "ADVERTENCIAS".

2.1) Controles y operaciones preliminares

Recuerde que POP motoriza una puerta que es eficiente y segura y no remedia los defectos procurados por una instalación inadecuada o por un mantenimiento carente. Antes de proceder con la motorización, controle que la estructura sea adecuada, es decir que respete las normas vigentes. Controle que:

- El embalaje esté íntegro y que contenga todos los componentes indicados en la **Fig. 1**
 - o 1 ud. PP7024
 - o 1 ud. PP7224
 - o 2 uds. Brazo recto
 - o 2 uds. Brazo curvo
 - o 2 uds. Soporte enganche motor
 - o 1 ud. Caja de accesorios
 - o 1 ud. Caja electrónica "Openkit"

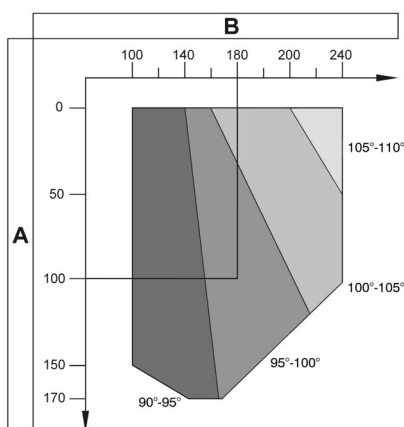
- La puerta no presente puntos de roce, tanto durante el cierre como durante la apertura.
- La puerta esté compensada correctamente, es decir que al detenerla en cualquier posición no tienda a moverse.
- La zona donde se fijará el motorreductor permita una maniobra manual fácil y segura.
- Controle que la zona de fijación sea compatible con el tamaño del motorreductor (**Fig. 2**).
- Controle que los puntos de fijación de los distintos dispositivos estén en zonas protegidas de choques y que las superficies sean lo suficientemente sólidas.
- Controle que las superficies de fijación de las fotocélulas sean planas y que permitan una alineación correcta entre TX y RX.
- Controle que haya suficiente espacio para la rotación del brazo (**Fig. 3**).

2.2) Instalación típica (Fig. 4)

1. Actuador POP "PP7024"
2. Actuador POP "PP7224"
3. Fotocélula
4. Antena
5. Luz intermitente
6. Selector de llave
7. Columna para fotocélulas (opcional)
8. Línea eléctrica de alimentación.

2.3) Fijación (Fig. 5)

Las operaciones para fijar los soportes son las siguientes:



Tab. 1

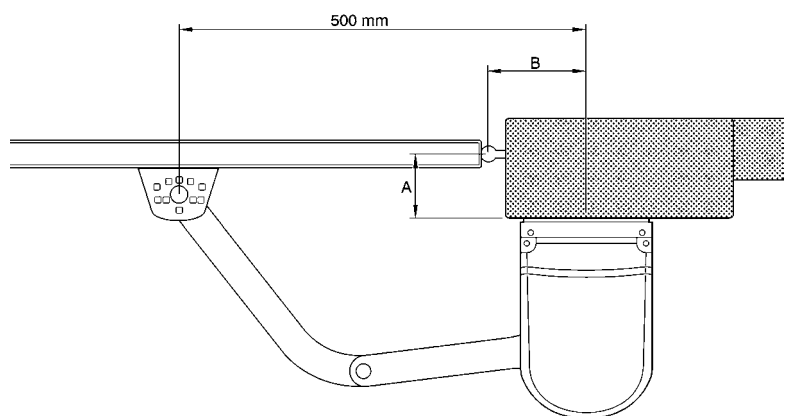


Fig. 5

1. Controle, según el ángulo de apertura de las hojas, que se puedan respetar las cotas indicadas en la **Tab. 1**.
2. Mida en el lugar el valor de "A".
3. En función de la cota "A" y del ángulo de apertura de las hojas en la tabla, se puede obtener el valor de "B" de la **Tab. 1**. Por ejemplo: si "A" equivale a 100 mm y se desea una apertura de 100°, "B" deberá ser de alrededor de 180mm.

2.4) Fijación del soporte de sujeción del motor a la columna (Fig. 6)

Se realiza utilizando tornillos adecuados para el material de la columna. Fije el soporte en posición horizontal.

2.5) Montaje del brazo recto (Fig. 7)

Se utiliza el tornillo M8x25 con la arandela grower respectiva. Coloque el brazo de manera que sobresalga en la parte delantera.

2.6) Fijación del motorreductor (Fig. 8)

Se efectúa colocando POP en la placa en C y fijándolo con los tornillos M6x100 y las tuercas correspondientes.

2.7) Montaje del brazo curvo y fijación del soporte regulable en la hoja (Fig. 9)

se efectúa utilizando el tornillo M8x45 con la arandela de plástico respectiva, para fijar los dos brazos, y el tornillo M8x35, para fijar el brazo curvo al soporte regulable. El soporte se fija a la puerta con una soldadura o utilizando los tor-

nillos adecuados para el material de la hoja. La posición del soporte debe respetar la cota 500mm (Fig. 5-6) y éste debe fijarse en posición horizontal y descentrada 100 mm respecto del soporte de fijación del motor.

2.8) Desbloqueo del motorreductor desde adentro (Fig. 10)

Se realiza en dos etapas:

A: levante la tapa

B: introduzca la llave de desbloqueo (de serie) y gírela hacia la derecha hasta que haga tope.

2.8.1) Desbloqueo del motorreductor desde afuera (fig. 11) (opcional)

El montaje del sistema de desbloqueo se efectúa en seis etapas:

A: quite la tapa de plástico (1)

B: enrosque en el eje de desbloqueo (2) el perno (3)

C: enrosque el tensor del cable (4) en el agujero correspondiente (5)

D: fije el muelle (6) al perno (3) y al punto de fijación situado en la carcasa

E: haga pasar el cable de desbloqueo (7) por el interior de los agujeros del perno (3) y del tensor (4)

F: vuelva a colocar la tapa de plástico (1) en su posición original

2.9) Fijación del fin de carrera mecánico en apertura (fig. 12)

Se efectúa, tras haber desbloqueado el motorreductor, utilizando dos tornillos M6x25 en la posición más adecuada.

2.10) Conexiones eléctricas

Para las conexiones eléctricas, véase el manual de instrucciones de la central de mando POA1.

2.11) Conexión a la alimentación (Fig. 13)

En PP7024: conecte el cable de alimentación (230V) directamente al terminal portafusibles.

En PP7224: conecte el cable que procede de la central del PP7024 al terminal mamut.

2.12) Empleo de baterías compensadoras (fig. 14) (opcionales)

POP incorpora un compartimiento para batería compensadora (opcional). Rompa la tapa de la caja de la central y cablee esta última con las baterías.

3) Maniobra manual o desbloqueo

La maniobra manual (Fig. 10) debe utilizarse si falta corriente o si la instalación presentara algún desperfecto. La maniobra manual per-

mite que el motorreductor se mueva libremente sólo si este ha sido montado correctamente y con los accesorios originales.

4) Ensayo y puesta en servicio

Estas son las etapas más importantes de toda la instalación del automatismo a fin de garantizar la seguridad máxima. El ensayo también puede emplearse para controlar periódicamente los dispositivos que componen el automatismo. El ensayo de toda la instalación debe ser efectuado por personal

experto y cualificado, que debe realizar los ensayos requeridos en función del riesgo presente y verificar el respeto de las disposiciones previstas por las normas y reglamentos, especialmente todos los requisitos de la norma EN12445, la cual establece los métodos de ensayo para el control de los automatismos para cancelas.

4.1) Ensayo

1. Controle que se respeten estrictamente las indicaciones del capítulo "ADVERTENCIAS".
2. Realice pruebas de apertura y de cierre de la puerta y compruebe que el movimiento de la hoja corresponda a aquel previsto. Es conveniente realizar varias pruebas a fin de evaluar el desplazamiento de la puerta y los posibles defectos de montaje o de regulación, además de la presencia de puntos de roce.
3. Controle uno por uno el funcionamiento correcto de todos los dispositivos de seguridad situados en la instalación.
4. Mida la fuerza de choque según las disposiciones de la norma EN 12445, de utilizarse el control de la "fuerza motor", como ayuda del sistema para la reducción de la fuerza de choque, busque la regulación que le ofrezca los mejores resultados.

5) Mantenimiento

El mantenimiento debe efectuarse respetando las prescripciones de seguridad de este manual y según las disposiciones de las leyes y normas vigentes. El mantenimiento de POP no requiere trabajos especiales; cada seis meses como mínimo, conviene controlar la

perfecta eficiencia de todos los dispositivos. A tal fin, realice todas las pruebas y controles previstos en el párrafo 4.1 "Ensayo". De no haberse previsto otros dispositivos, siga las indicaciones del plan de mantenimiento.

5.1) Desguace

POP está formado de varios tipos de materiales, algunos de ellos son reciclables (aluminio, plástico, cables eléctricos), otros deberán eliminarse (tarjetas y componentes electrónicos).

⚠ ATENCIÓN: algunos componentes electrónicos podrían contener sustancias contaminantes, no las derrame en el medio ambiente. Infórmese sobre los sistemas de reciclaje o vertido respetando las normas locales vigentes.

1. Desconecte el automatismo de la línea eléctrica.
2. Desmonte todos los dispositivos y accesorios, siguiendo el procedimiento inverso al descrito en el capítulo 2 "instalación".
3. Quite la tarjeta electrónica.
4. Separe y entregue los materiales eléctricos y reciclables a las empresas expertas en su recuperación y desguace.
5. Desguace las demás estructuras sirviéndose de los centros de recogida previstos.

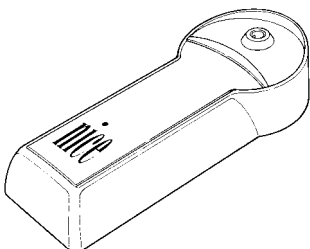
6) Características técnicas

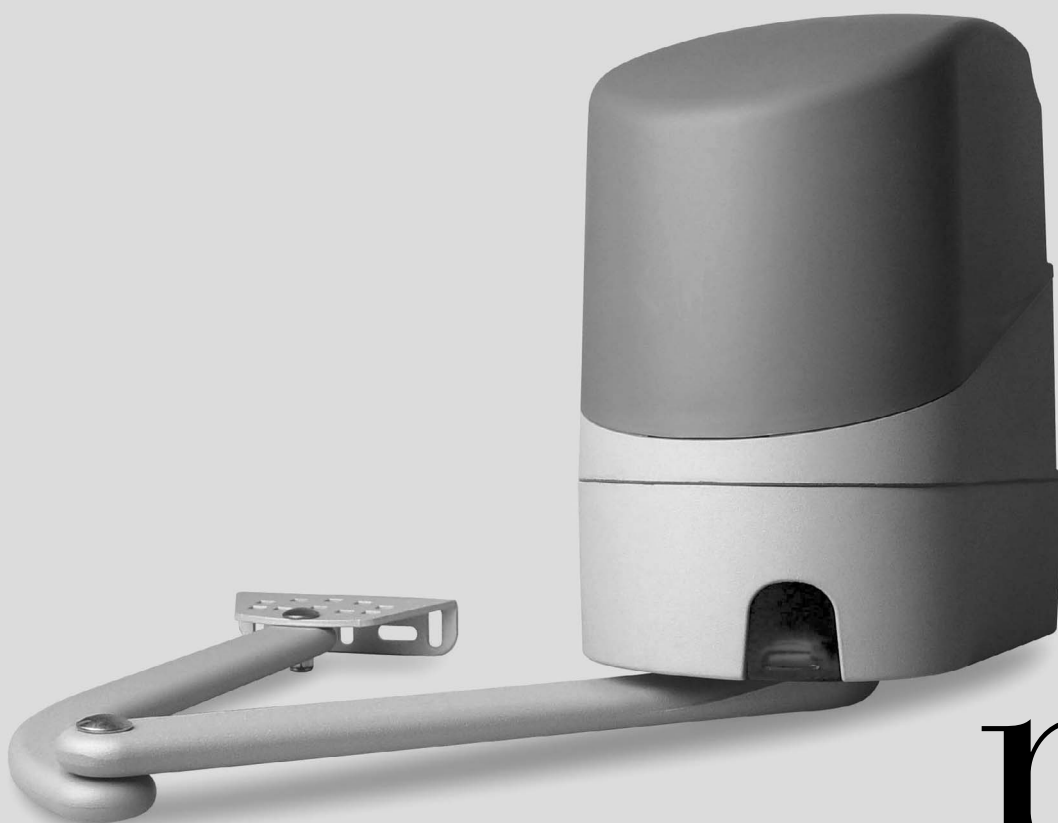
		PP7024	PP7024/V1	PP7224*
Alimentación	Vac/Hz	230/50	120/50-60	/
	Vdc	/	/	24
Corriente Máx	A	~1	~2	3
Potencia motor	W		75	
Par	Nm		180	
Tiempo de apertura	s		10	
Temperatura de funcionamiento	°C		-20°÷50°	
Grado de Protección			IP 44	
Ciclos de trabajo			30%	
Clase de aislamiento		1		B

* Versión sin central de mando

7) Accesorios

KIO - Selector de llave con desbloqueo por tirador





pop

E

Instrucciones y advertencias destinadas al usuario del motorreductor POP.

Felicitaciones por haber elegido un producto Nice para su automatización!

Nice S.p.a. produce componentes para la automatización de cancelas, puertas, cierres enrollables, persianas y toldos: motorreductores, centrales de mando, radiomandos, luces intermitentes, fotocélulas y accesorios. Los productos Nice son fabricados sólo con materiales de calidad y excelentes mecanizados. Nuestra empresa busca constantemente soluciones innovadoras que simplifiquen aún más el uso de nuestros aparatos, cuidados en todos los detalles técnicos, estéticos y ergonómicos: en la vasta gama Nice, su instalador puede escoger el producto que satisfaga de la mejor manera sus exigencias.

Nice no es quien escoge los componentes de su automatización, este es un trabajo de análisis, evaluación, elección de los materiales y realización de la instalación efectuado por su instalador de confianza. Cada automatización es única y sólo su instalador posee la experiencia y profesionalidad necesarias a fin de ejecutar una instalación a medida de sus exigencias, segura y fiable en el tiempo y, sobre todo, que respete las normativas vigentes.

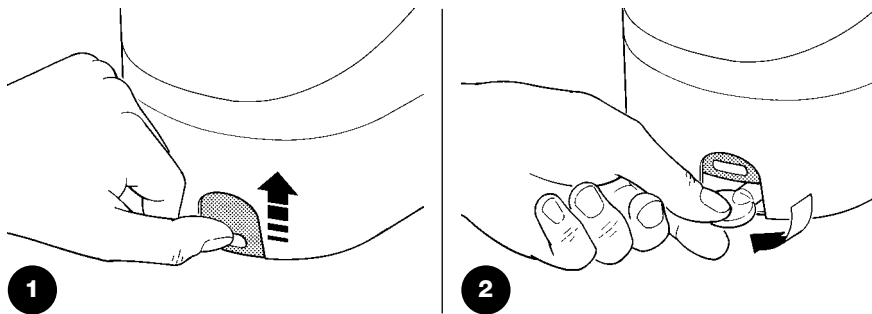
Una instalación de automatización es una gran comodidad, además de un sistema de seguridad válido y, con un mantenimiento reducido y sencillo, está destinada a durar por mucho tiempo. Aunque bien su automatización satisfaga el nivel de seguridad requerido por las normativas, esto no excluye la existencia de un "riesgo residual", es decir, la posibilidad de que se puedan crear situaciones de peligro causadas por un uso inconsciente o incorrecto, por dicho motivo, a continuación le damos algunos consejos sobre cómo comportarse para evitar inconvenientes:

- **Antes de usar por primera vez el automatismo:** pida a su instalador que le explique el origen de los riesgos residuales y lea este manual de **instrucciones y advertencias para el usuario** entregado por el instalador. Conserve el manual por cualquier problema que pueda surgir y recuerde entregarlo a un posible nuevo dueño del automatismo.
- **El automatismo ejecuta fielmente los mandos dados:** un uso inconsciente o inadecuado puede ser peligroso. Por consiguiente, no accione el automatismo cuando en su radio de acción haya personas, animales o cosas.

- **Niños:** una instalación de automatización garantiza un elevado grado de seguridad, impidiendo, gracias a sus sistemas de detección, que se mueva ante la presencia de personas o cosas y garantizando una activación previsible y segura. Procure que los niños no jueguen cerca del automatismo y mantenga los controles remotos lejos de su alcance: **no son un juguete!**
- **Desperfectos:** cada vez que el automatismo no funcione correctamente, corte la alimentación eléctrica de la instalación y realice el desbloqueo manual. No realice ninguna reparación y llame a su instalador de confianza: una vez desbloqueado el motorreductor, la instalación podrá funcionar manualmente como un cerramiento no automatizado.
- **Mantenimiento:** para garantizar una larga vida útil y para un funcionamiento seguro, la instalación, al igual que cualquier otra maquinaria, requiere un mantenimiento periódico. Establezca con su instalador un plan de mantenimiento con frecuencia periódica. Nice aconseja realizar un mantenimiento cada 6 meses para un uso residencial normal, que puede variar según la intensidad de uso. Cualquier tipo de control, mantenimiento o reparación debe ser realizado sólo por personal cualificado.
- Aunque piense que lo sabe hacer, no modifique la instalación ni los parámetros de programación y regulación del automatismo: la responsabilidad es de su instalador.
- El ensayo final, los trabajos de mantenimiento periódico y las posibles reparaciones deben ser documentados por quien los efectúa y los documentos tienen que ser conservados por el dueño de la instalación.
- **Desguace:** al final de la vida útil del automatismo, el desguace debe ser realizado por personal cualificado y los materiales deben ser reciclados o eliminados según las normas locales vigentes.
- **En el caso de roturas o falta de alimentación.** Esperando la intervención de su instalador (o la llegada de la energía eléctrica si la instalación no está dotada de baterías compensadoras), la instalación puede accionarse igual que cualquier cerramiento no automatizado. A tal fin es necesario realizar el desbloqueo manual, que es la única operación que el usuario puede realizar y que Nice ha estudiado minuciosamente para facilitarle su empleo, sin necesidad de utilizar herramientas ni hacer esfuerzos físicos.

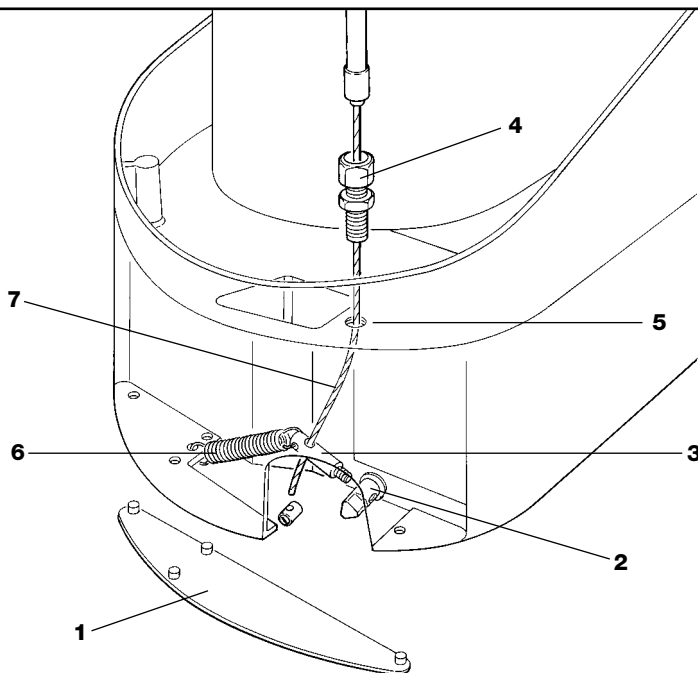
Desbloqueo del motorreductor desde adentro

1. levante la tapa.
2. Coloque la llave de desbloqueo (de serie) y gírela hacia la derecha, hasta que haga tope.



Desbloqueo del motorreductor desde afuera (opcional)

- Quite la tapa de plástico (1)
- Enrosque el eje de desbloqueo (2) y el perno (3)
- Enrosque el tensor del cable (4) en su agujero (5)
- Fije el muelle (6) al perno (3) y al punto de fijación situado en la carcasa.
- Haga correr el cable de desbloqueo (7) por los agujeros del perno (3) y del tensor (4)
- Vuelva a colocar la tapa de plástico (1) en su posición original.



Importante: si su instalación está dotada de un radiomando que, transcurrido un cierto período, no funciona correctamente o deja de funcionar, podría ser que la pila esté agotada (dura desde varios meses a 2/3 años según el modelo). Ud. se podrá dar cuenta de este inconveniente por el hecho de que la luz del indicador de confirmación de la transmisión es débil, no se enciende, o bien se enciende sólo durante un breve instante. Antes de llamar al instalador, pruebe a sustituir la pila con una de otro transmisor que funcione correctamente: si el problema fuera este, sustituya la pila con otra del mismo tipo.

Está Ud. satisfecho? Si Ud. deseara montar en su casa un nuevo automatismo, contacte al mismo instalador y a Nice, así podrá contar con la garantía del asesoramiento de un experto y los productos más modernos del mercado, el mejor funcionamiento y la máxima compatibilidad de las automatizaciones.

Le agradecemos por haber leído estas recomendaciones y esperamos que esté satisfecho de su nueva instalación: ante cualquier exigencia, contacte con confianza a su instalador.

pop

Spis:	pag.
1 Opis produktu	32
2 Instalowanie	32
2.1 Kontrola Wstępna	32
2.2 Instalacja typowa	32
2.3 Mocowanie	32
2.4 Mocowanie wspornika siłownika do słupka	33
2.5 Montaż prostego ramienia	33
2.6 Mocowanie siłownika	33
2.7 Montaż ramienia wygiętego i mocowanie wspornika do skrzydła	33
2.8 Wysperzeganie siłownika od wewnątrz	33
2.8.1 Wysperzeganie siłownika z zewnątrz (opcjonalnie)	33
2.9 Montaż wyłącznika granicznego otwierania	33
2.10 Połączenia elektryczne	33
2.11 Podłączanie zasilania	33
2.12 Zastosowanie akumulatora awaryjnego (opcjonalny)	33

Spis:	pag.
3 Ruch ręczny lub wysperzeganie	33
4 Testy odbiorcze i przygotowanie do pracy	34
4.1 Test odbiorczy	34
5 Czynności konserwacyjne	34
5.1 Utylizacja	34
6 Dane techniczne	34
7 Akcesoria	34
Instrukcje i ostrzeżenia skierowane do użytkownika siłownika POP	35

Ostrzeżenia

Przed przystąpieniem do instalowania automatyki należy uważnie przeczytać całą instrukcję, ponieważ dostarcza ona ważnych informacji związanych z bezpieczeństwem, instalacją, użytkowaniem i czynnościami konserwacyjnymi.

W celu ułatwienia zastosowania poniższych instrukcji utrzymany został porządek kolejności wykonywania poszczególnych faz instalowania. Inne czynności poza tymi zawartymi w niniejszej instrukcji nie są dozwolone.

Niewłaściwe użytkowanie może być źródłem uszkodzeń i niebezpiecznych sytuacji dla osób i rzeczy.

Firma Nice nie bierze żadnej odpowiedzialności skutki niewłaściwego montażu bram, jak i za deformacje, które mogą stworzyć się podczas użytkowania.

Przechowywać niniejszą instrukcję do przyszłej konsultacji.

Projekt, wykonanie elementów konstrukcyjnych POP i niniejsza instrukcja spełniają w pełni aktualnie obowiązującą normę.

Podczas instalowania jak i użytkowania POP mogą stworzyć się niebezpieczne sytuacje, dlatego też czynności te należy wykonać w pełni przestrzegając normy prawne i regulaminy, a w szczególności:

- Przed rozpoczęciem instalowania przygotować wszystkie materiały i oprzyrządowanie, które może służyć do podłączenia do automatyki siłownika POP i odpowiednie jest do specyficznej sytuacji zastosowania.
- Nie wolno używać automatyki przed wykonaniem prób odbiorczych według tego, jak przedstawiono w paragrafie: "Przygotowanie do rozruchu".
- Materiał opakowania należy zutylizować w pełni przestrzegając miejscowe normy prawne.
- Nie wprowadzać zmian, gdy nie zostały przewidziane w niniejszej instrukcji.

Tego typu zmiany mogą być powodem wadliwego funkcjonowania. Firma NICE zwalnia się z odpowiedzialności za szkody wynikające z modyfikacji produktów.

- Uważać, aby nie zanurzać elementów automatyki w wodzie lub innych płynach. Uważać także, aby przy instalowaniu żaden płyn nie dostał się do środka centrali i do innych otwartych urządzeń współpracujących.
- W wypadku, gdy płyn dostanie się do środka urządzenia, należy natychmiast odłączyć dany element od automatyki, odłączyć zasilanie i skontaktować się z serwisem Firmy NICE; użytkowanie POP w takim stanie może być niebezpieczne.
- Nie umieszczać elementów POP w pobliżu źródeł ciepła ani płomieni; może to być przyczyną wadliwego jego funkcjonowania, pożaru lub innych niebezpiecznych sytuacji.
- Gdy akumulator awaryjny (opcjonal) nie będzie używany przez dłuższy czas należy go odłączyć od automatyki i przechowywać w suchym pomieszczeniu; unika się w ten sposób wyciekania szkodliwych płynów z akumulatora.
- Centralę podłączyć do linii zasilającej zaopatrzonej w uziemienie.
- Wszystkie czynności, które wymagają otwarcia obudowy POP, wymagają odłączenia zasilania. Gdy urządzenie odcinające energię nie jest widoczne należy powiesić na nim tabliczkę ostrzegającą: "UWAGA, CZYNNOSCI KONSERWACYJNE W TOKU".
- Po interwencji wyłączników automatycznych lub bezpieczników i przed ich przywróceniem do pierwotnej pozycji należy odszukać i usunąć anomalie.
- Gdy naprawa wykonana według wskazówek umieszczonych w niniejszej instrukcji nie da oczekiwanego efektu należy skontaktować się z serwisem firmy NICE.

1) Opis produktu

POP jest siłownikiem do bram skrzydłowych o średnich i małych rozmiarach. Służy do automatyzacji bram skrzydłowych przy długości maksymalnej skrzydła do 1.8m i ciężarze skrzydła do 200kg. Silnik wykonany jest w dwóch wersjach:

- PP7024 z wbudowaną centralą sterującą z zasilaniem 230V (W wersji PP 7024/V1 zasilanie 120V)
- PP7224 bez centrali sterującej z siłownikiem PP07224, który podłącza się do centrali sterującej PP7024.

2) Instalowanie

Pamiętać należy, że instalacja musi być wykonywana wyłącznie przez doświadczony i wykwalifikowany personel zgodnie z

instrukcjami umieszczonymi w rozdziale "OSTRZEŻENIA".

2.1) Kontrola Wstępna

Przypominamy, że POP jest urządzeniem napędowym do bramy, wydajnym i pewnym, ale nie usuwa wad spowodowanych błędnym zainstalowaniem czy źle wykonanymi czynnościami konserwacyjnymi. Przed przystąpieniem do instalacji napędu należy sprawdzić prawidłowość konstrukcji bramy, czyli czy odpowiada ona aktualnie obowiązującym normom. W szczególności sprawdzić czy:

- opakowanie siłownika nie jest naruszone i czy zawiera elementy przedstawione na **rys. 1**:
 - o Nr.1 cz. PP7024
 - o Nr.1 cz. PP7224
 - o Nr.2 cz. Proste ramię
 - o Nr.2 cz. Wygięte ramię
 - o Nr.2 cz. Wspornik siłownika
 - o Nr.1 cz. Skrzynka z akcesoriami
 - o Nr.1 cz. Skrzynka elektroniki "Openkit",

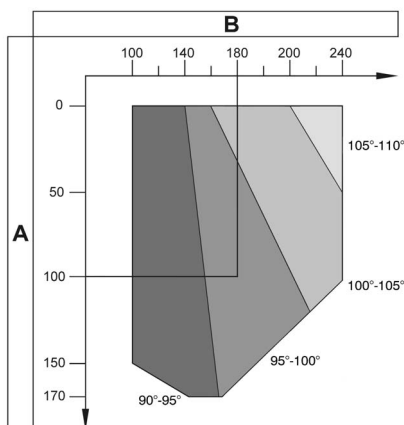
- przy otwieraniu i zamykaniu bramy nie ma punktów nadmiernego tarcia,
- brama jest wyważona, czyli zatrzymana w jakimkolwiek punkcie nie porusza się,
- miejsce gdzie ma być zamocowany siłownik jest bezpieczne i odpowiednie dla pracy montera,
- miejsce na zainstalowanie siłownika jest odpowiednie dla jego wymiarów (**Rys. 2**),
- sprawdzić czy miejsca, gdzie będą przymocowane poszczególne urządzenia są zabezpieczone przed przypadkowymi uderzeniami i czy powierzchnie montażu są solidne,
- sprawdzić czy powierzchnie, gdzie zamocowane zostaną fotokomórki są płaskie i gwarantujące prawidłowe ustawienie pomiędzy TX i RX,
- sprawdzić czy ruch ramienia nie będzie niczym ograniczony (**Rys. 3**).

2.2) Instalacja typowa (Rys. 4)

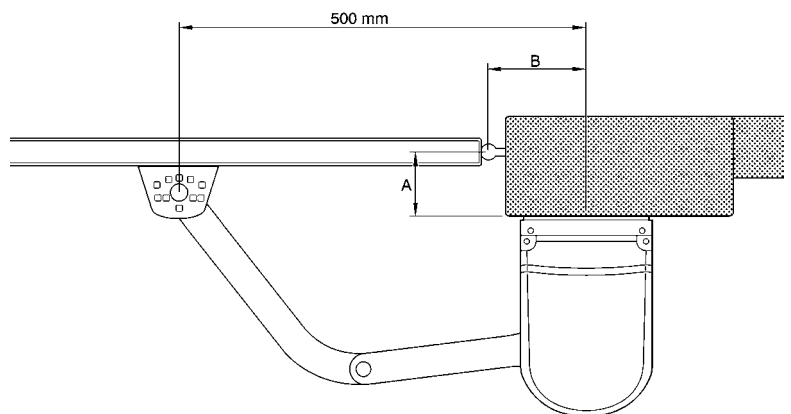
1. Siłownik POP "PP7024"
2. Siłownik POP "PP7224"
3. Fotokomórka
4. Antena
5. Lampa sygnalizacyjna
6. Przełącznik kluczowy
7. Kolumna na fotokomórkę (opcjonalna)
8. Linia elektryczna zasilająca.

2.3) Mocowanie (Rys. 5)

Mocowanie wsporników wykonać następująco:



Tab. 1



Rys. 5

1. Sprawdzić, na podstawie kąta otwarcia skrzydła, czy możliwe jest uzyskanie wartości umieszczonych w **Tab. 1**
2. Zmierzyć na słupku wartość "A".
3. Na podstawie wartości "A" i kąta otwarcia skrzydła w tabeli można odczytać dopuszczalne wartości "B" z **Tab. 1**. Na przykład:, gdy "A" jest równe 100mm i gdy chcemy otrzymać kąt otwarcia =100, to "B" powinno wynosić około 180mm.

2.4) Mocowanie wspornika siłownika do słupka (Rys. 6)

Mocowanie wykonać wkrętami odpowiednimi do materiału słupka. Przymocować szyny w poziomej pozycji.

2.5) Montaż prostego ramienia (Rys. 7)

Montaż może być wykonany śrubą M8x25 z podkładką sprężystą. Ramię ustawić w kierunku jak na rys. 7, rys 9. parte anteriore.

2.6) Mocowanie siłownika (Rys. 8)

Mocowanie siłownika wykonane jest poprzez wsunięcie go do szyny C i przykręcenie śrubami M6x100 i dostarczonymi nakrętkami.

2.7) Montaż ramienia wygiętego i mocowanie wspornika do skrzydła (Rys. 9)

Montaż wykonujemy stosując śrubę M8x45 z odpowiednimi podkładkami plastikowymi i śrubą M8x35 do przymocowania ramienia do wspornika. Wspornik powinien być przyspawany do bramy lub przykręcony śrubami odpowiednimi do materiału, z

jakiego wykonane jest skrzydło. Ustawić wspornik z zachowaniem wartości 500mm (Rys. 5-6), przymocować w pozycji poziomej i ustawić odpowiednio do wspornika na słupku, zachowując wartość 100mm.

2.8) Wysprzęglanie siłownika od wewnątrz (Rys. 10)

Przebiega w dwóch fazach:

A: Podnieść zasłonkę

B: Włożyć klucz do wysprzęglania (w zestawie) i przekręcić w kierunku zgodnym z ruchem wskazówek aż do oporu.

2.8.1 Wysprzęglanie siłownika z zewnątrz (Rys. 11) (opcjonalnie)

Montaż systemu wysprzęglania odbywa się w sześciu fazach:

A: Odczepić plastikową pokrywkę (1)

B: Przykręcić trzpień (3) do wałka wysprzęglania (2)

C: Napinacz linki (4) przykręcić do właściwego otworu (5)

D: Przymocować sprężynę (6) do sworznia (3) i do odpowiedniego zaczepu obudowy

E: przeciągnąć linkę wysprzęglającą (7) poprzez otwory sworznia (3) i napinacza (4)

F: Założyć z powrotem plastikową pokrywkę (1)

2.9) Montaż wyłącznika granicznego otwierania (Rys. 12)

Przykręcić ogranicznik dwoma śrubami M6x25 we właściwej pozycji po uprzednim wysprzęgleniu siłownika.

2.10) Połączenia elektryczne

Przy wykonywaniu połączeń elektrycznych kierować się instrukcjami centrali sterującej POA1.

2.11) Podłączanie zasilania (Rys. 13)

W PP7024: podłączyć kabel zasilający (230V) bezpośrednio do zacisków przy bezpieczniku.

W PP7224: podłączyć kabel wychodzący z centrali PP7024 do odpowiednich zacisków.

2.12) Zastosowanie akumulatora awaryjnego (Rys. 14) (opcjonalny)

POP posiada przegródkę na akumulator awaryjny (opcjonalny). Usunąć zaznaczoną część ścianki skrzynki centrali, włożyć akumulator i wykonać połączenia.

3) Ruch ręczny lub wysprzęglanie

Czynności ręczne (Rys. 10) należy wykonać w wypadku braku prądu lub w wypadku zaistnienia awarii urządzenia. Ruch ręczny

umożliwia wykonanie wolnego ruchu siłownika pod warunkiem, że został on prawidłowo zamontowany i z oryginalnymi akcesoriami.

4) Testy odbiorcze i przygotowanie do pracy

Test odbiorczy jest najważniejszą fazą w instalowaniu automatyki i gwarantuje jej bezpieczne użytkowanie. Test może być stosowany także jako okresowa kontrola składowych elementów automatyki. Test odbiorczy całej automatyki musi być wykonany przez doświadczony i wykwalifikowany personel, który weźmie na

siebie odpowiedzialność za wykonanie swojej pracy i świadomy jest ewentualnego niebezpieczeństwa.

Personel ten ma zweryfikować czy przestrzegane są wymagania i regulaminy normy EN12445, która ustala sposób wykonania kontroli automatyki bram.

4.1) Test odbiorczy

1. Zweryfikować czy wszystko to, co jest zawarte w rozdziale "OSTRZEŻENIA" jest respektowane.
2. Wykonać próby otwierania i zamykania bramy i sprawdzić czy ruch skrzydła przebiega prawidłowo. Wykonać próby kilkakrotnie, sprawdzając jego płynność, obecność ewentualnych wad w montażu i regulacji jak i ewentualne zwiększone tarcie.
3. Zweryfikować pojedynczo funkcjonowanie wszystkich urządzeń zabezpieczających w urządzeniu.
1. Zmierzyć siłę uderzenia według jak zostało przewidziane w normie EN 12445 i ewentualnie, gdy kontrola "siły silnika" jest stosowana jako sposób na zmniejszenie siły uderzenia: wyregulować tak, aby uzyskać jak najlepsze wyniki.

5) Czynności konserwacyjne

Czynności konserwacyjne wykonywać przestrzegając w pełni norm bezpieczeństwa niniejszej instrukcji i według tego, co jest przewidziane w prawie i aktualnych normach. POP nie wymaga specjalnych czynności konserwacyjnych, a przewidziana kontrola, co sześć miesięcy gwarantuje prawidłowe funkcjonowanie systemu.

Czynności konserwacyjne polegają na powtórzeniu testu odbiorczego i prób wskazanych w paragrafie 4.1 "Test odbiorczy".

Gdy przewidziane są inne urządzenia należy wykonać wszystko, co jest dla nich przewidziane w programie czynności konserwacyjnych.

5.1) Utylizacja

POP wykonany jest z różnych surowców, niektóre z nich można oddać przetworzenia (aluminium, plastik, kable) inne należy oddać do recyklingu (karty i elementy elektroniczne).

⚠ UWAGA: Niektóre elementy mogą zawierać substancje trujące, nie wolno ich porzucać w przypadkowych miejscach. Należy zasięgnąć informacji odnośnie sposobów przerobu i utylizacji materiałów według aktualnie obowiązujących norm miejscowych.

1. Odłączyć automatykę od zasilania.
2. Poodkręcać urządzenia i akcesoria w kolejności przeciwnej do podanej w rozdziale 2 "Instalowanie".
3. Wyciągnąć kartę elektroniczną.
4. Pogrupować i dostarczyć poszczególne materiały elektryczne do recyklingu do firm zajmujących się odbiorem tych materiałów.
5. Pozostałe elementy struktury oddać do właściwych punktów złomowania.

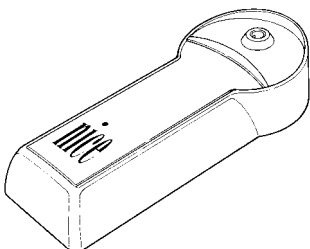
6) Dane techniczne

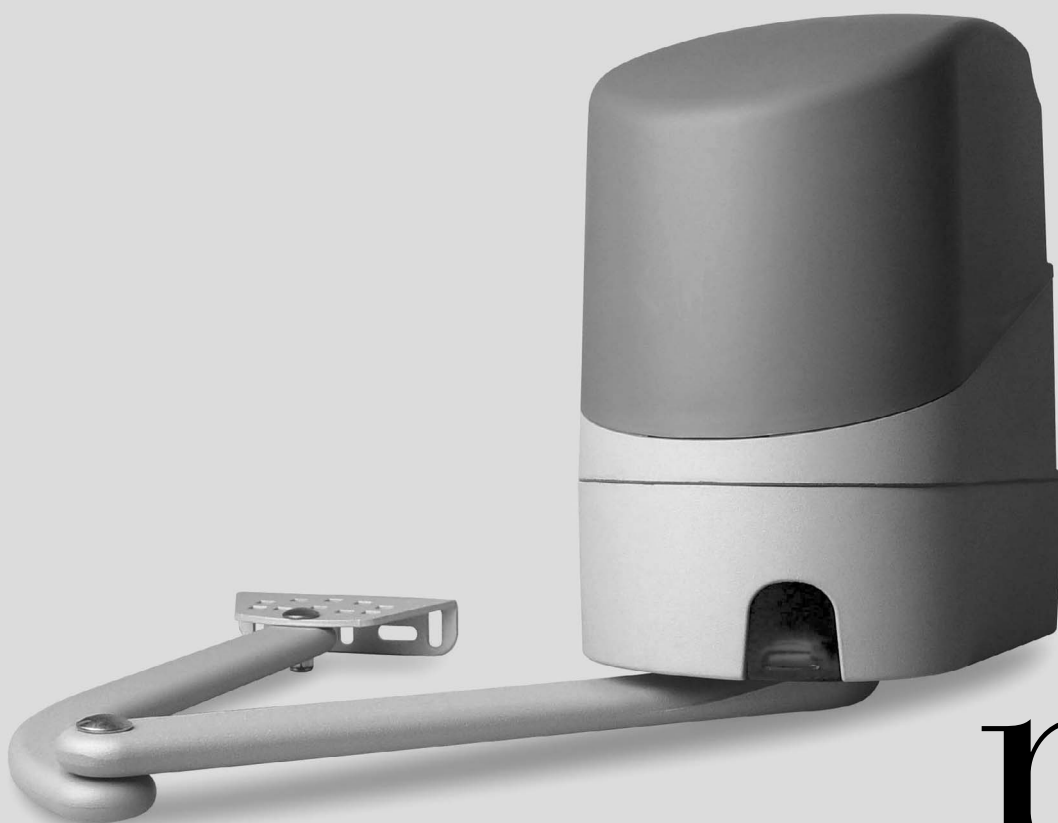
		PP7024	PP7024/V1	PP7224*
Zasilanie	Vpp/Hz	230/50	120/50-60	/
	Vps	/	/	24
Prąd max.	A	~1	~2	3
Moc silnika	W		75	
Moment	Nm		180	
Czas otwierania	s		10	
Zakres temp. pracy	°C		-20°÷50°	
Stopień zabezpieczenia			IP 44	
Intensywność pracy			30%	
Klasa izolacji		1		B

* Wersja bez centrali sterującej

7) Akcesoria

KIO - Selektor na klucz z wysprzęgleniem z linką.





pop

PL

Instrukcje i ostrzeżenia skierowane do użytkownika siłownika POP

Gratulujemy wyboru automatyki firmy Nice!

Nice S.p.a. produkuje elementy do automatyzacji bram, drzwi, bram rolowanych, rolet i markiz: siłowniki, centrale sterujące, piloty, lampy sygnalizacyjne, fotokomórki i akcesoria.

Firma Nice stosuje w swoich produktach wyłącznie surowce wysokiej jakości zawsze poszukując nowych i innowacyjnych rozwiązań, maksymalnie ułatwiających użytkowanie tych urządzeń. Elementy te są technicznie wysokiej jakości, estetyczne i dokładnie opracowane ergonomicznie: wasz instalator na pewno wybierze produkt, który najbardziej odpowiada waszym wymaganiom.

Firma Nice nie jest producentem waszej bramy, lecz tylko automatu; jest on wynikiem wieloletniej pracy, analizy i wyboru surowców a realizacja instalacji ma być wykonana przez waszego instalatora. Każda automatyka jest jedyna w swoim rodzaju i gdy instalator posiada odpowiednie doświadczenie z pewnością wybierze produkt, który najbardziej odpowiada waszym wymaganiom, pewny i trwały w czasie a szczególnie wykonany profesjonalnie, czyli taki, który będzie odpowiadał aktualnie obowiązującym normom.

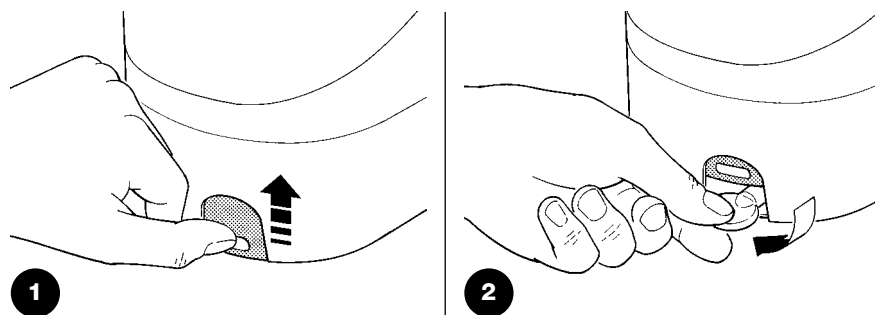
Automatyka jest wygodnym rozwiązaniem, posiada funkcjonalny system zabezpieczający i gdy jest zadbała będzie wam służyć wiele lat. Gdy automatyka spełnia wasze wymagania w zakresie bezpieczeństwa i zgodnie z normami prawnymi nie znaczy to, że nie istnieją "inne niebezpieczeństwa". Mogą się bowiem utworzyć się sytuacje niebezpieczne spowodowane nieodpowiedzialnym i błędnym użytkowaniem. Dlatego też chcemy przekazać wam użyteczne wskazówki w celu uniknięcia takich niekorzystnych sytuacji:

- **Przed pierwszym uruchomieniem automatyki** należy poprosić instalatora o dokładne przedstawienie ewentualnych niebezpieczeństw. Przeczytać **instrukcję i ostrzeżenia dla instalatora**, którą wam przekazał. Przechowywać instrukcję w celu ewentualnych przyszłych konsultacji, lub, aby przekazać ją innemu użytkownikowi automatyki.
- **Wasza automatyka jest systemem, który wykonuje sumiennie wasze rozkazy**; nierozumne użytkowanie może stać się niebezpieczne. Nie włączać automatyki, gdy w zasięgu jej działania znajdują się ludzie, zwierzęta lub inne objekty.

- **Dzieci:** automatyka gwarantuje wysoki stopień bezpieczeństwa. Zatrzymuje ruch, gdy jej system zabezpieczający odczyta obecność osób lub rzeczy i gwarantuje uaktywnienie tego systemu w sposób pewny i przewidziany. Bezpieczniej jednak zabronić dzieciom bawienia się w pobliżu automatyki oraz pozostawionymi bez nadzoru pilotami, aby uniknąć nieumyślnego włączenia: **nadajniki sterowania to nie zabawka!**
- **Anomalie.** Gdy zauważy się jakiegokolwiek niewłaściwe zachowanie automatyki należy odłączyć od niej zasilanie elektryczne i wysprzęglić ręcznie. Nie wykonywać samodzielnie napraw, ale wezwać uprawnionego instalatora: brama może funkcjonować również bez automatyki po wysprzęgleniu siłownika według jak opisane w dalszej części.
- **Czynności konserwacyjne.** Automat, jak każda maszyna, wymaga okresowych czynności konserwacyjnych, co gwarantuje mu bezpieczne i długoletnie funkcjonowanie. Uzgodnić z waszym instalatorem program okresowych przeglądów konserwacyjnych. Firma Nice poleca, aby przeglądy wykonywać, co 6 miesięcy, ale zależy to też od intensywności użytkowania. Jakikolwiek przegląd, związany z czynnościami konserwacyjnymi czy naprawą, ma być wykonany przez wykwalifikowany personel.
- Nawet wówczas, gdy jesteście pewni swojej wiedzy nie wolno wprowadzać żadnych zmian w instalacji, w parametrach programowania i w regulacji automatyki: czynności te są obowiązkiem instalatora
- Kontrola końcowa, okresowe przeglądy i ewentualne naprawy mają być udokumentowane przez osobę wykonującą te czynności: dokumenty te ma przechowywać właściciel instalacji.
- **Złomowanie.** Po zakończeniu eksploatacji instalacji demontaż musi być wykonany przez upoważnione osoby, materiały mają być oddane do recyklingu według aktualnie obowiązujących miejscowych norm prawnych.
- **Wypadku uszkodzenia lub braku zasilania.** Oczekując na przybycie instalatora (lub na powrót energii elektrycznej oraz gdy instalacja nie posiada akumulatorów awaryjnych) urządzenie może być uruchamiane ręcznie, czyli jak każde inne urządzenie nieautomatyczne. Wysprzęglić urządzenie ręcznie: ta czynność jest jedyną czynnością, którą może wykonać użytkownik. Jest to funkcja dokładnie opracowana przez firmę Nice w celu ułatwienia jej obsługi bez stosowania narzędzi i wysiłku fizycznego.

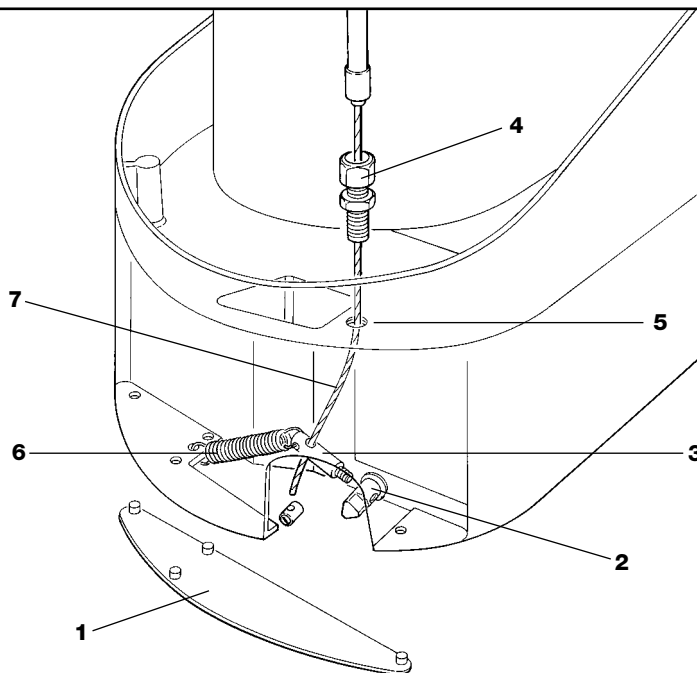
Wysprzęglanie siłownika od wewnątrz

1. Podnieść pokrywkę
2. Włożyć klucz wysprzęglający (dostarczony w zestawie) i przekręcić w kierunku ruchu wskazówek zegara aż do oporu.



wysprzęglanie siłownika od zewnątrz (opcjonalne)

- Odczepić plastikową pokrywkę (1)
- Przykręcić trzpień (3) do wałka wysprzęglającego (2)
- Przykręcić napinacz linki (4) do właściwego otworu (5)
- Przymocować sprężynę (6) do trzpienia (3) i do właściwego punktu przymocowania w obudowie
- Przeciągnąć linkę wysprzęglania (7) poprzez otwory sworznia (3) i napinacza linki (4)
- Założyć w oryginalnej pozycji plastikową pokrywkę. (1)



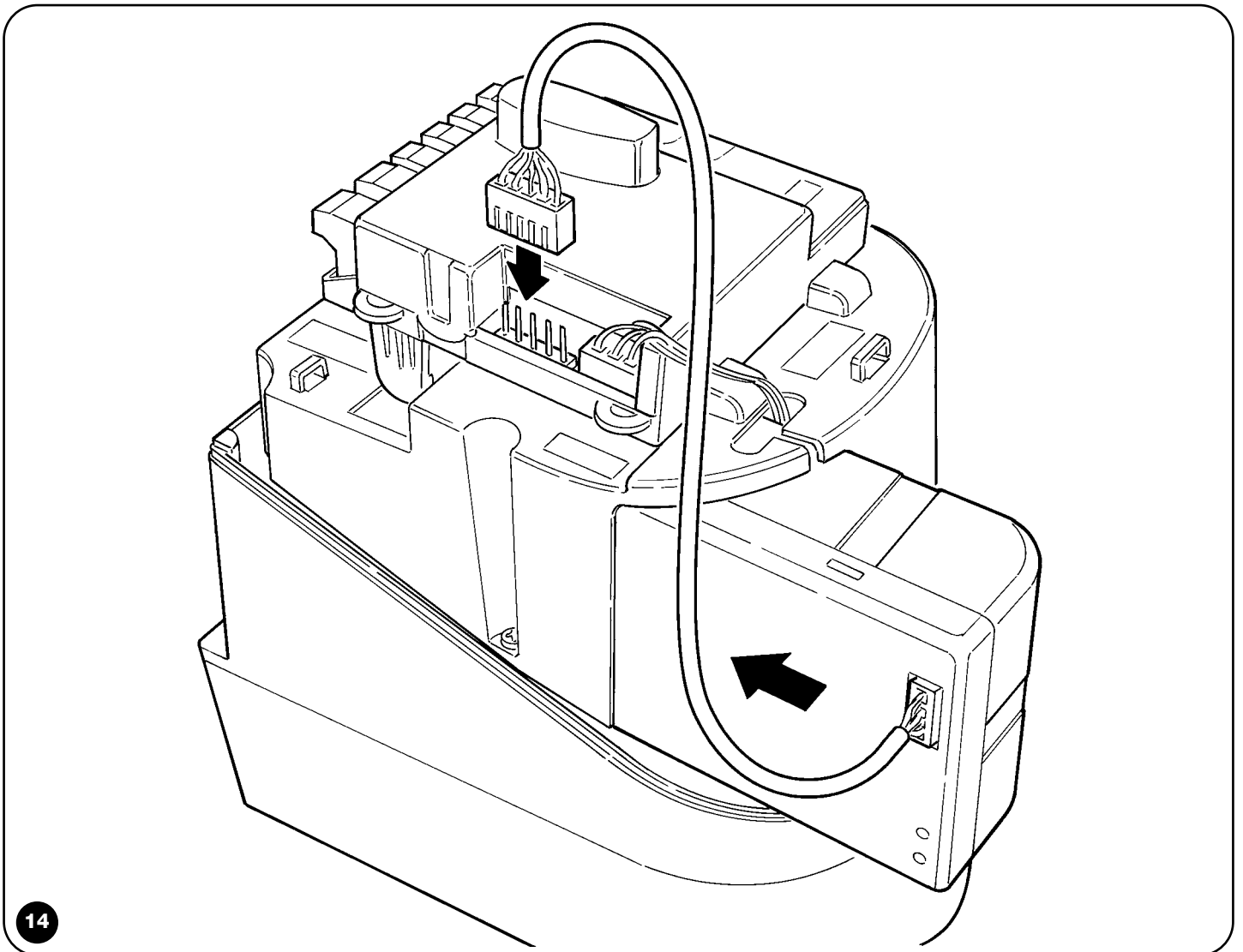
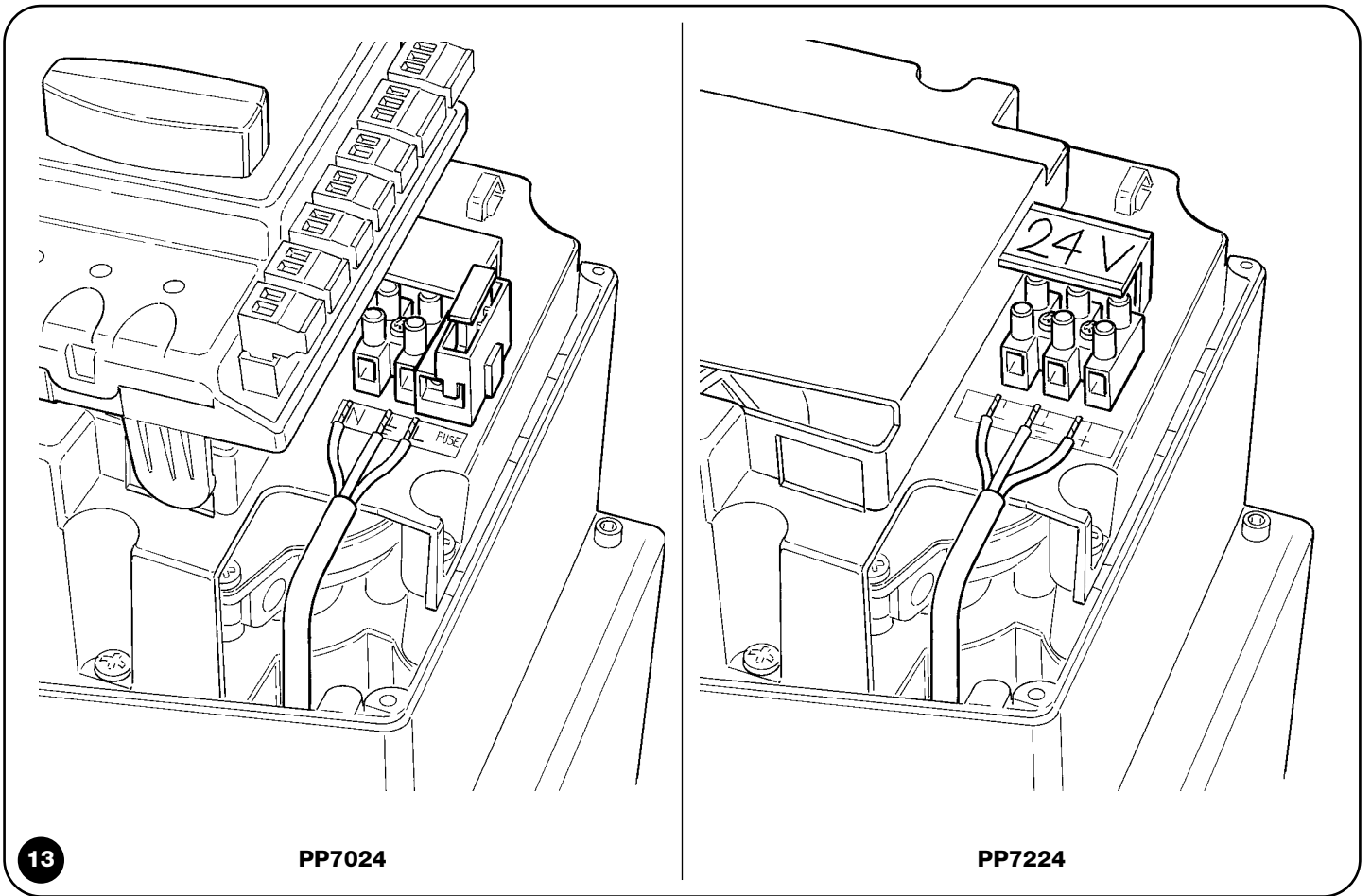
Ważne: gdy wasze urządzenie jest sterowane pilotem, którego działanie po pewnym czasie słabnie lub przestaje on działać to prawdopodobnie baterie w nim znajdujące się wyczerpały się (w zależności od rodzaju baterii może stać się to po kilku miesiącach jak i po dwóch lub trzech latach).

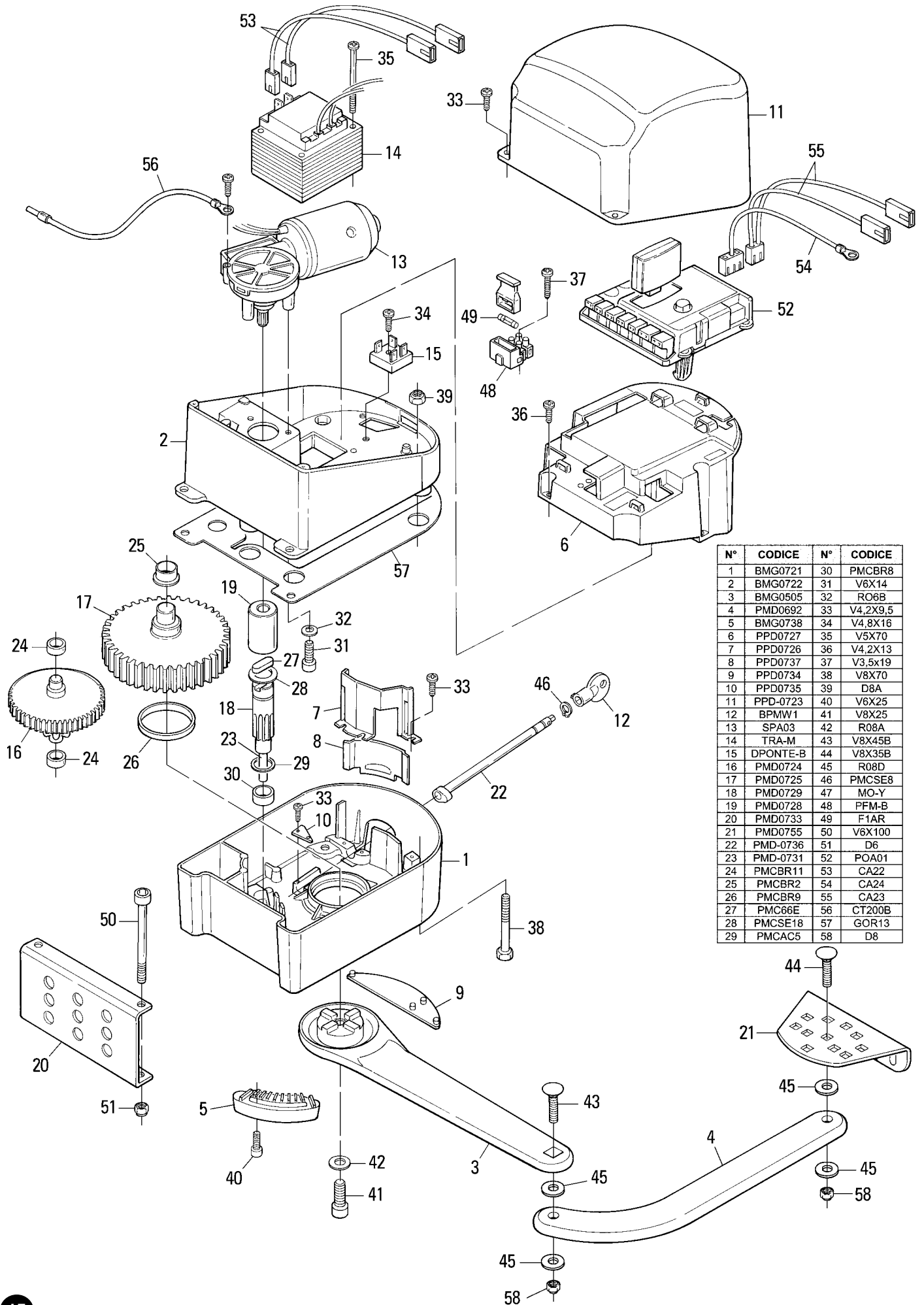
Świeciółko ostrzegawcze w pilocie jest wówczas słabe, w ogóle nie świeci się lub zaświeci się na krótki czas. Przed wezwaniem instalatora wymienić baterie, na takie same z innego funkcjonującego nadajnika. Jeżeli jest to jedyny powód nie funkcjonowania pilota to wystarczy wymienić baterie na nowe tego samego rodzaju.

Jesteście zadowoleni z waszej automatyki?

W wypadku zamiaru zainstalowania następnych urządzeń zaleca się wezwanie tego samego instalatora, a firma Nice zagwarantuje wam oprócz konsultacji jednego ze specjalistów produkt najbardziej postępowy na rynku, idealne funkcjonujące urządzenie i maksymalną kompatybilność systemu.

Dziękujemy za przeczytanie niniejszych wskazówek, życzymy dużej satysfakcji z nowej automatyki. W celu ewentualnych wyjaśnień, czy porad prosimy zwrócić się do waszego instalatora.





Dichiarazione CE di conformità / EC declaration of conformity

(secondo Direttiva 98/37/EC, Allegato II, parte B) (according to 98/37/EC Directive, Enclosure II, part B)

Numero / Number: 172/997224 Data / Date: 02/2003

Revisione / Revision: 0

Il sottoscritto Lauro Buoro, Amministratore Delegato, dichiara che il prodotto

The undersigned Lauro Buoro, General Manager of the following producer, declares that the product

Nome produttore / Producer name: NICE S.p.a.
Indirizzo / Address: Via Pezza Alta 13, 31046 Z.I. Rustignè - ODERZO - ITALY
Tipo / Type: Motoriduttore elettromeccanico / *Electromechanical gearmotor*
Modello / Model: PP7224
Accessori / Accessories: Nessun accessorio / No accessory

Risulta conforme a quanto previsto dalle seguenti direttive comunitarie / Complies with the following community directives

Riferimento n°	Titolo
Reference n°	Title
98/37/CE (EX 89/392/CEE)	DIRETTIVA MACCHINE / <i>Machinery Directive</i>
89/336/CEE	DIRETTIVA COMPATIBILITA' ELETTROMAGNETICA (EMC) / <i>EMC Electromagnetic Compatibility Directive</i>

Risulta conforme a quanto previsto dalle seguenti Norme armonizzate / Complies with the following Harmonised standards

Riferimento n°	Edizione	Titolo	Livello di valutazione	Classe
Reference n°	Issue	Title	Estimate level	Class
EN55022	09/1998	Caratteristiche di radiodisturbo. Limiti e metodi di misura <i>Information technology equipment - Radio disturbance characteristics. Limits and methods of measurement</i>		B

Risulta conforme a quanto previsto dalle altre norme e/o specifiche tecniche di prodotto / Complies with the other standards and/or product technical specifications

Riferimento n°	Edizione	Titolo	Livello di valutazione	Classe
Reference n°	Issue	Title	Estimate level	Class
EN 12445	8/2000	Porte e cancelli industriali e commerciali e da autorimessa. Sicurezza in uso di porte motorizzate - Metodi di prova <i>Industrial, commercial and garage doors and gates - Safety in use of power operated doors - Test methods</i>		
EN 12453	8/2000	Porte e cancelli industriali e commerciali e da autorimessa. Sicurezza in uso di porte motorizzate - Requisiti <i>Industrial, commercial and garage doors and gates - Safety in use of power operated doors - Requirements</i>		

Inoltre dichiara che non è consentita la messa in servizio del prodotto suindicato finché la macchina, in cui il prodotto stesso è incorporato, non sia identificata e dichiarata conforme alla direttiva 98/37/CEE / He declares, moreover, that it is not allowed to use the above mentioned product until the machine, in which this product is incorporated, has been identified and declared in conformity with the regulation 98/37/CEE.

P.S.: Il prodotto suindicato si intende parte integrante di una delle configurazioni di installazione tipiche, come riportato nei nostri cataloghi generali / The above mentioned product is meant integral part of the of one of the installation configuration as shown on our general catalogues.

Oderzo, 8 Maggio 2003

Amministratore delegato
(General Manager)
Lauro Buoro

**P.S.: La dichiarazione di conformità del modello "PP7024" e' presente nel fascicolo di istruzioni della centrale "POA1"
Please find the declaration of conformity for model "PP7024" in the instruction booklet for the "POA1" control unit.**



COMPANY
WITH QUALITY SYSTEM
CERTIFIED BY DNV
— ISO 9001 —

Nice S.p.a. Oderzo TV Italia
Via Pezza Alta, 13 Z.I. Rustignè
Tel. +39.0422.85.38.38
Fax +39.0422.85.35.85
info@niceforyou.com

Nice Padova Sarameola I
Tel. +39.049.89.78.93.2
Fax +39.049.89.73.85.2
info.pd@niceforyou.com

Nice Roma I
Tel. +39.06.72.67.17.61
Fax +39.06.72.67.55.20
info.roma@niceforyou.com

Nice Belgium
Leuven (Heverlee) B
Tel. +32.(0)16.38.69.00
Tel. +32.(0)16.38.69.01
Fax +32.(0)16.38.69.01
info@nicebelgium.be

Nice España Madrid E
Tel. +34.9.16.16.33.00
Fax +34.9.16.16.30.10
kamarautom@nexo.es

Nice France Buchelay F
Tel. +33.(0)1.30.33.95.95
Fax +33.(0)1.30.33.95.96
info@nicefrance.fr

Nice France Sud Aubagne F
Tel. +33.(0)4.42.62.42.52
Tel. +33.(0)4.78.26.56.53
Fax +33.(0)4.42.62.42.50
info.marseille@nicefrance.fr

Nice Rhône-Alpes
Decines Charpieu F
Tel. +33.(0)4.78.26.56.53
Tel. +33.(0)4.78.26.57.53
Fax +33.(0)4.78.26.57.53
info.lyon@nicefrance.fr

Nice Polska Pruszków PL
Tel. +48.22.728.33.22
Tel. +48.22.728.25.10
Fax +48.22.728.25.10
nice@nice.com.pl

www.niceforyou.com